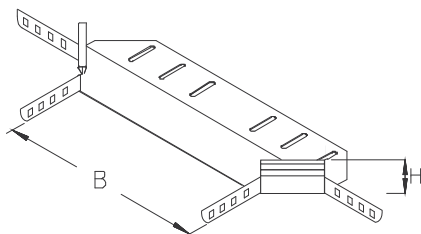


## RAA 42

Cable tray attachment branch-piece, height=42 mm

Cable tray attachment branch.

This article is available made in material No. 1.4571/1.4404 (V4A) stainless steel finish.



**Continuously hot galvanized (Sendzimir process) (DIN EN 10346)**

Product	H	B	G
RAA 42-05S	42 mm	50 mm	0,46 kg
Incl.: 2x KLR		Clamp fastening set	
RAA 42-10S	42 mm	100 mm	0,57 kg
Incl.: 2x KLR		Clamp fastening set	
RAA 42-20S	42 mm	200 mm	0,67 kg
Incl.: 2x KLR		Clamp fastening set	
RAA 42-30S	42 mm	300 mm	0,77 kg
Incl.: 2x KLR		Clamp fastening set	

**Hot-dip galvanized, according to BS 729 (DIN EN ISO 1461)**

Product	H	B	G
RAA 42-05F	42 mm	50 mm	0,52 kg
Incl.: 2x KLR E		Clamp fastening set	
RAA 42-10F	42 mm	100 mm	0,64 kg
Incl.: 2x KLR E		Clamp fastening set	





Product	H	B	G
RAA 42-20F	42 mm	200 mm	0,75 kg
Incl.: 2x KLR E		Clamp fastening set	
RAA 42-30F	42 mm	300 mm	0,86 kg
Incl.: 2x KLR E		Clamp fastening set	

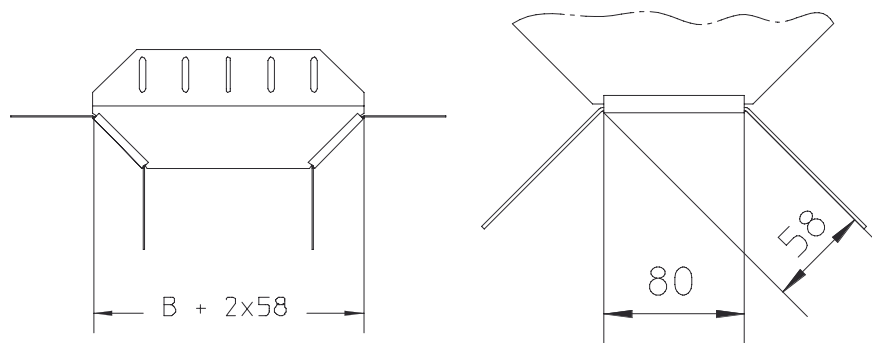
**Stainless steel, according to ASTM 304 / BS 304 S 3**

Product	H	B	G
RAA 42-05E	42 mm	50 mm	0,46 kg
Incl.: 2x KLR E		Clamp fastening set	
RAA 42-10E	42 mm	100 mm	0,57 kg
Incl.: 2x KLR E		Clamp fastening set	
RAA 42-20E	42 mm	200 mm	0,67 kg
Incl.: 2x KLR E		Clamp fastening set	
RAA 42-30E	42 mm	300 mm	0,77 kg
Incl.: 2x KLR E		Clamp fastening set	

**H** : Height  
**B** : Width  
**G** : Weight



## DETAILS / APPLICATIONS



## OPTIONAL ACCESSORIES

VB

