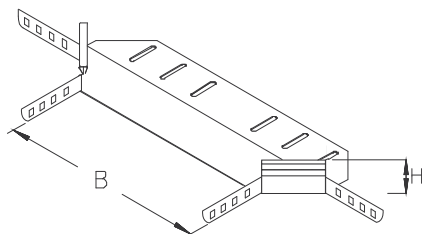


RAA 35

Cable tray attachment branch-piece, height=35 mm

Cable tray attachment branch.



Continuously hot galvanized (Sendzimir process) (DIN EN 10346)

Product	H	B	G
RAA 35-05S	35 mm	50 mm	0,38 kg
Incl.: 2x KLR		Clamp fastening set	
RAA 35-10S	35 mm	100 mm	0,49 kg
Incl.: 2x KLR		Clamp fastening set	
RAA 35-20S	35 mm	200 mm	0,59 kg
Incl.: 2x KLR		Clamp fastening set	
RAA 35-30S	35 mm	300 mm	0,70 kg
Incl.: 2x KLR		Clamp fastening set	

Hot-dip galvanized, according to BS 729 (DIN EN ISO 1461)

Product	H	B	G
RAA 35-05F	35 mm	50 mm	0,43 kg
Incl.: 2x KLR E		Clamp fastening set	
RAA 35-10F	35 mm	100 mm	0,55 kg
Incl.: 2x KLR E		Clamp fastening set	





Product	H	B	G
RAA 35-20F	35 mm	200 mm	0,66 kg
Incl.: 2x KLR E		Clamp fastening set	
RAA 35-30F	35 mm	300 mm	0,78 kg
Incl.: 2x KLR E		Clamp fastening set	

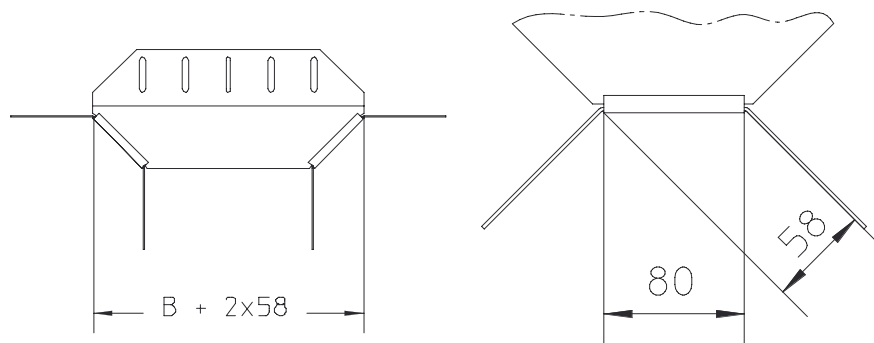
Stainless steel, according to ASTM 304 / BS 304 S 3

Product	H	B	G
RAA 35-05E	35 mm	50 mm	0,38 kg
Incl.: 2x KLR E		Clamp fastening set	
RAA 35-10E	35 mm	100 mm	0,49 kg
Incl.: 2x KLR E		Clamp fastening set	
RAA 35-20E	35 mm	200 mm	0,59 kg
Incl.: 2x KLR E		Clamp fastening set	
RAA 35-30E	35 mm	300 mm	0,70 kg
Incl.: 2x KLR E		Clamp fastening set	

H : Height
B : Width
G : Weight



DETAILS / APPLICATIONS



OPTIONAL ACCESSORIES

VB

