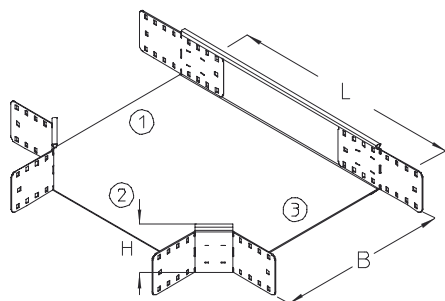


RA 85

Cable tray branch-piece, height=85 mm

Cable tray branch in T-shape, integrated connectors.

This article is available made in material No. 1.4571/1.4404 (V4A) stainless steel finish.



Continuously hot galvanized (Sendzimir process) (DIN EN 10346)

Product	H	B	L	G
RA 85-10S	85 mm	100 mm	214 mm	1,41 kg
Incl.: 6x KLR		Clamp fastening set		
RA 85-20S	85 mm	200 mm	314 mm	1,82 kg
Incl.: 6x KLR		Clamp fastening set		
RA 85-30S	85 mm	300 mm	414 mm	2,39 kg
Incl.: 6x KLR		Clamp fastening set		
RA 85-40S	85 mm	400 mm	514 mm	3,11 kg
Incl.: 6x KLR		Clamp fastening set		
RA 85-50S	85 mm	500 mm	614 mm	4,00 kg
Incl.: 6x KLR		Clamp fastening set		
RA 85-60S	85 mm	600 mm	714 mm	5,05 kg
Incl.: 6x KLR		Clamp fastening set		

Hot-dip galvanized, according to BS 729 (DIN EN ISO 1461)





OPTIONAL ACCESSORIES

VB



Certyfikat UL

