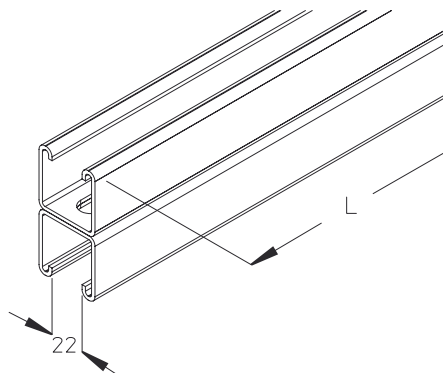


KHA 82

C-rail, perforated, 41x82 mm

Profile rail 41x82x2,50 mm, with continuous perforation 14x30, welded back to back.
Slot size 22 mm.



Hot-dip galvanized, according to BS 729 (DIN EN ISO 1461)

Product	H	B	L	t	G
KHA 82-60F	82 mm	41 mm	6000 mm	2,50 mm	31,80 kg
KHA 82-60F	82 mm	41 mm	6000 mm	2,50 mm	31,360 kg

Stal nierdzewna, zgodnie z ASTM 304 / BS 304 S 3

Product	H	B	L	t	G
KHA 82-30E	82 mm	41 mm	3000 mm	2,50 mm	14,870 kg
KHA 82-60E	82 mm	41 mm	6000 mm	2,50 mm	29,740 kg

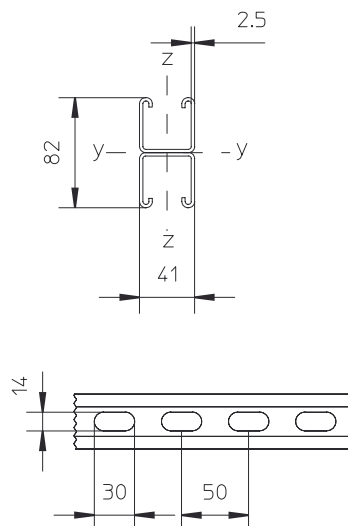
Stal kwasoodporna, zgodnie z ASTM 316 Ti / AISI 316 L, BS 320S17 / BS 316S11

Product	H	B	L	t	G
KHA 82-30E4	82 mm	41 mm	3000 mm	2,50 mm	15,050 kg
KHA 82-60E4	82 mm	41 mm	6000 mm	2,50 mm	30,100 kg

H : Height
B : Width
L : Length
t : Material thickness
G : Weight



DETAILS / APPLICATIONS



OPTIONAL ACCESSORIES

AM22, AMF22, RUS 41



System E30 - E90. CNBOP-PIB nr CNBOP-PIB-KOT-2017/0013-3703

