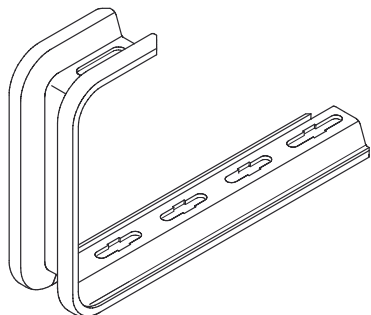


DKSL

Ceiling fixed bracket



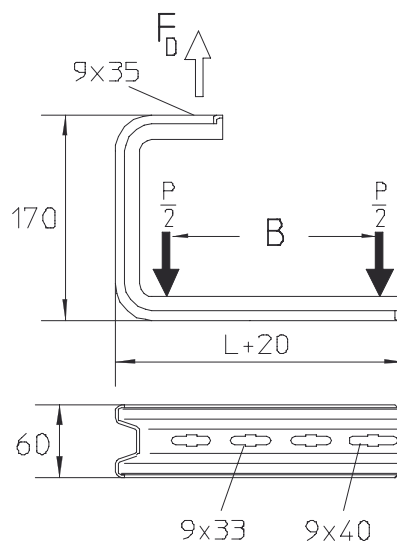
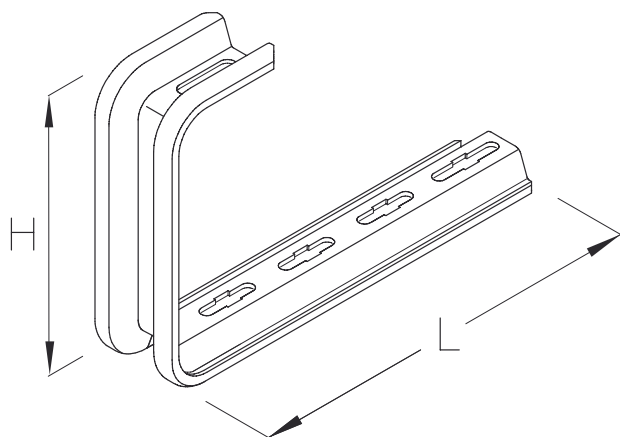
Product	H	B	L	P _{max}	F _v /P	G
DKSL 010S	170 mm	100 mm	120 mm	1,28 kN	3,1	0,620 kg
DKSL 020S	170 mm	200 mm	220 mm	0,93 kN	2,1	0,790 kg
DKSL 030S	170 mm	300 mm	320 mm	0,86 kN	2,7	0,940 kg
DKSL 040S	170 mm	400 mm	420 mm	0,61 kN	3,3	1,110 kg

Product	H	B	L	P _{max}	F _v /P	G
DKSL 010F	170 mm	100 mm	120 mm	1,56 kN	3,1	0,660 kg
DKSL 020F	170 mm	200 mm	220 mm	1,09 kN	2,1	0,840 kg
DKSL 030F	170 mm	300 mm	320 mm	0,99 kN	2,7	1,000 kg
DKSL 040F	170 mm	400 mm	420 mm	0,69 kN	3,3	1,180 kg

- H** : Height
- B** : Width
- L** : Length
- P_{max}** : Maximum permissible load
- F_v/P** :
- G** : Weight



DETAILS / APPLICATIONS



OPTIONAL ACCESSORIES

KSL-SP F, SD, SAZ, KLRL, KLU

