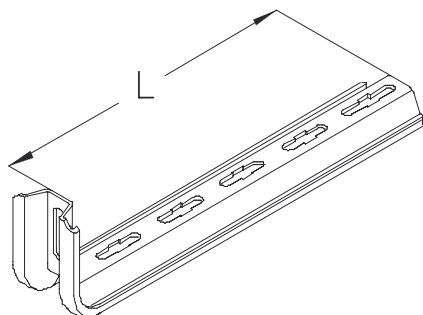


# KSL

Bracket



Handle bracket, standard version made of W-/trapezoidal profile 60x20 mm, perforated in the center. Certified according to DIN EN 61537. For mounting on ceiling bracket KDSL. support distance max. 1,2 m.

For ceiling mounting, use item KSLW.



Continuously hot galvanized (Sendzimir process) (DIN EN 10346)

Product	B	L	P <sub>max</sub>	G
KSL 010S	100 mm	120 mm	3,0 kN	0,36 kg
KSL 015S	150 mm	170 mm	2,4 kN	0,45 kg
KSL 020S	200 mm	220 mm	1,9 kN	0,53 kg
KSL 025S	250 mm	270 mm	1,50 kN	0,61 kg
KSL 030S	300 mm	320 mm	1,10 kN	0,69 kg
KSL 040S	400 mm	420 mm	0,80 kN	0,86 kg

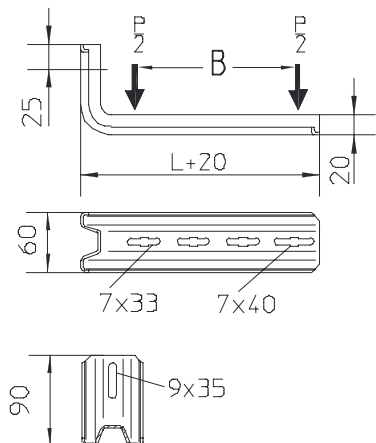
Hot-dip galvanized, according to BS 729 (DIN EN ISO 1461)

Product	B	L	P <sub>max</sub>	G
KSL 010F	100 mm	120 mm	3,00 kN	0,38 kg
KSL 015F	150 mm	170 mm	2,40 kN	0,47 kg
KSL 020F	200 mm	220 mm	1,90 kN	0,56 kg
KSL 025F	250 mm	270 mm	1,50 kN	0,65 kg
KSL 030F	300 mm	320 mm	1,10 kN	0,73 kg
KSL 040F	400 mm	420 mm	0,80 kN	0,92 kg

- B** : Width
- L** : Length
- P<sub>max</sub>** : Maximum permissible load
- G** : Weight



## DETAILS / APPLICATIONS



## OPTIONAL ACCESSORIES

FRS 8x20, SEMS 8, KLRL



System E30 - E90. CNBOP-PIB nr CNBOP-PIB-KOT-2017/0013-3703

