

# KISS

Bracket, very heavy

Wall bracket, very heavy-duty version. For stepless clamping to steel structures such as T-beams and double-T-beams. Especially suitable for wide-span cable trays.

$F_D/P$ : Coefficient for calculation of the dowel load  $F_D$  with effective bracket load  $P$  respectively the sum of effective bracket loads.



SAUA  
GEPRO  
TYPE  
APPRO



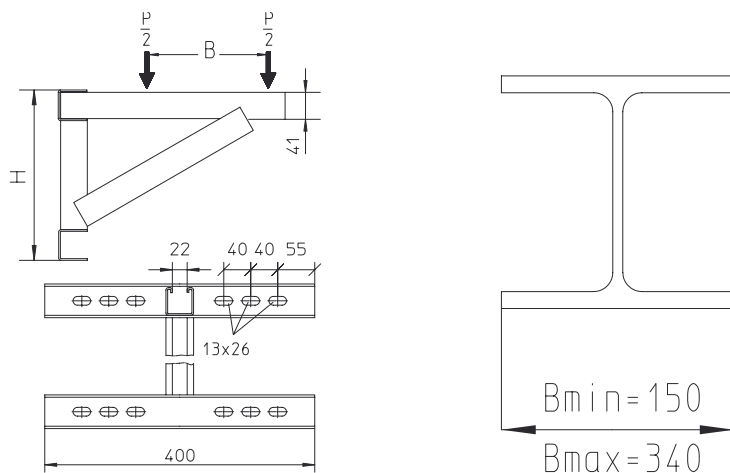
Hot-dip galvanized, according to BS 729 (DIN EN ISO 1461)

Product	H	B	L	$P_{max}$	$F_D/P$	G
KISS 020F	150 mm	200 mm	280 mm	10 kN	0,93	4,66 kg
KISS 030F	185 mm	300 mm	380 mm	10 kN	0,91	5,42 kg
KISS 040F	215 mm	400 mm	480 mm	10 kN	0,92	6,17 kg
KISS 050F	250 mm	500 mm	580 mm	10 kN	0,92	6,93 kg
KISS 060F	280 mm	600 mm	680 mm	10 kN	0,92	7,70 kg
KISS 070F	315 mm	700 mm	780 mm	10 kN	0,99	8,44 kg
KISS 080F	345 mm	800 mm	880 mm	10 kN	1,06	9,21 kg
KISS 090F	380 mm	900 mm	980 mm	10 kN	1,10	9,96 kg
KISS 100F	410 mm	1000 mm	1080 mm	10 kN	1,15	10,71 kg

- H** : Height
- B** : Width
- L** : Length
- $P_{max}$**  : Maximum permissible load
- $F_D/P$**  : Dowel-to-anchor load
- G** : Weight

## DETAILS / APPLICATIONS





## OPTIONAL ACCESSORIES

WPHS-A, SKS M



TÜV certified



Certified according to Det Norske Veritas (DNV) and Germanischer Lloyd (GL)

