

KWSS

Bracket, very heavy

Wall/handle bracket, very heavy-duty version, with welded-on back plate. Certified according to DIN EN 61537. For mounting on walls or hanging struts.

F_D/P : Coefficient for calculation of the dowel load F_D with effective bracket load P respectively the sum of effective bracket loads.



• SALIA
• GEFPRO
• TÜV
• APPRO



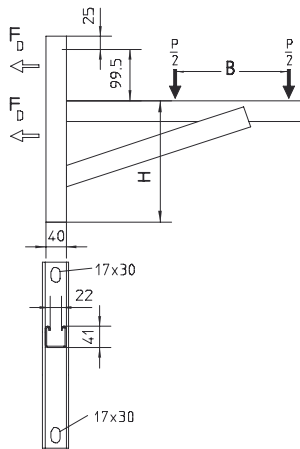
Hot-dip galvanized, according to BS 729 (DIN EN ISO 1461)

Product	H	B	L	P_{max}	F_D/P	G
KWSS 020F	166 mm	200 mm	280 mm	10 kN	0,76	2,59 kg
KWSS 030F	196 mm	300 mm	380 mm	10 kN	0,86	3,37 kg
KWSS 040F	236 mm	400 mm	480 mm	10 kN	0,91	4,18 kg
KWSS 050F	266 mm	500 mm	580 mm	10 kN	0,97	4,96 kg
KWSS 060F	236 mm	600 mm	680 mm	10 kN	1,26	5,51 kg
KWSS 070F	266 mm	700 mm	780 mm	10 kN	1,44	6,28 kg
KWSS 080F	301 mm	800 mm	880 mm	10 kN	1,56	7,08 kg
KWSS 090F	331 mm	900 mm	980 mm	10 kN	1,66	7,85 kg
KWSS 100F	366 mm	1000 mm	1080 mm	10 kN	1,72	8,65 kg

- H** : Height
- B** : Width
- L** : Length
- P_{max}** : Maximum permissible load
- F_D/P** : Dowel-to-anchor load
- G** : Weight

DETAILS / APPLICATIONS





OPTIONAL ACCESSORIES

SD, WPHS-A, VAB-HB, VAS-AS



• BALUART
• GERISIT
• TYPE
• APPROVED

TÜV certified



Certified according to Det Norske Veritas (DNV) and Germanischer Lloyd (GL)

