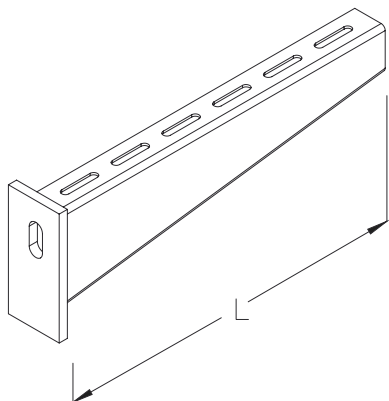


KWMS

Wall bracket, medium duty



Wall/handle bracket, medium-duty version, with welded-on back plate. Certified according to DIN EN 61537. For mounting on walls or hanging struts.

F_D/P : Coefficient for calculation of the dowel load F_D with effective bracket load P respectively the sum of effective bracket loads.

Hot-dip galvanized, according to BS 729 (DIN EN ISO 1461)

Product	H	B	L	P_{max}	F_D/P	G
KWMS 010F	85 mm	100 mm	120 mm	3,80 kN	1,36	0,53 kg
KWMS 020F	85 mm	200 mm	220 mm	3,80 kN	1,81	0,76 kg
KWMS 030F	85 mm	300 mm	320 mm	3,80 kN	2,32	0,99 kg
KWMS 040F	85 mm	400 mm	420 mm	3,80 kN	2,86	1,21 kg
KWMS 050F	85 mm	500 mm	520 mm	3,80 kN	3,42	1,43 kg
KWMS 060F	85 mm	600 mm	620 mm	3,80 kN	3,99	1,65 kg

Stainless steel, according to ASTM 304 / BS 304 S 3

Product	H	B	L	P_{max}	F_D/P	G
KWMS 010E	85 mm	100 mm	120 mm	3,80 kN	1,36	0,51 kg
KWMS 020E	85 mm	200 mm	220 mm	3,80 kN	1,81	0,73 kg
KWMS 030E	85 mm	300 mm	320 mm	3,80 kN	2,32	0,94 kg
KWMS 040E	85 mm	400 mm	420 mm	3,80 kN	2,86	1,16 kg
KWMS 050E	85 mm	500 mm	520 mm	3,80 kN	3,42	1,37 kg
KWMS 060E	85 mm	600 mm	620 mm	3,80 kN	3,99	1,58 kg

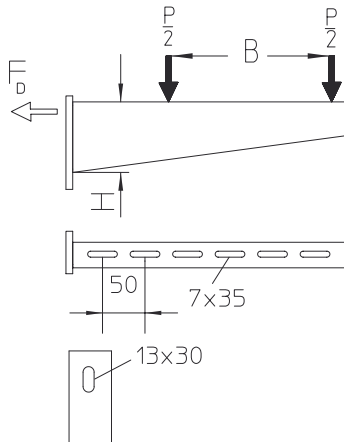
Stainless steel, according to ASTM 316 Ti / AISI 316 L, BS 320S17 / BS 316S11



Product	H	B	L	P_{max}	F_D/P	G
KWMS 010E4	85 mm	100 mm	120 mm	3,80 kN	1,36	0,52 kg
KWMS 020E4	85 mm	200 mm	220 mm	3,80 kN	1,81	0,74 kg
KWMS 030E4	85 mm	300 mm	320 mm	3,80 kN	2,32	0,95 kg
KWMS 040E4	85 mm	400 mm	420 mm	3,80 kN	2,86	1,17 kg
KWMS 050E4	85 mm	500 mm	520 mm	3,80 kN	3,42	1,38 kg
KWMS 060E4	85 mm	600 mm	620 mm	3,80 kN	3,99	1,60 kg

H : Height
B : Width
L : Length
 P_{max} : Maximum permissible load
 F_D/P : Dowel-to-anchor load
G : Weight

DETAILS / APPLICATIONS



OPTIONAL ACCESSORIES

KDU 57, KDU 60, KDU 60, KHU 57, KHU 60, SD, KLR

