

KWLL

Bracket, light duty

Wall bracket, light-duty version, made of profile rail 30x15 mm, slot width 16 mm. For mounting on walls.

F_D/P : coefficient for calculation of the dowel load F_D with effective bracket load P respectively the sum of effective bracket loads.

This article is available made in material No. 1.4571/1.4404 (V4A) stainless steel finish.



Continuously hot galvanized (Senzimir process) (DIN EN 10346)

Product	H	B	L	P_{max}	F_D/P	G
KWLL 010S	15 mm	100 mm	110 mm	0,30 kN	2,00	0,13 kg
KWLL 020S	15 mm	200 mm	210 mm	0,30 kN	3,00	0,20 kg
KWLL 030S	15 mm	300 mm	310 mm	0,30 kN	4,00	0,28 kg

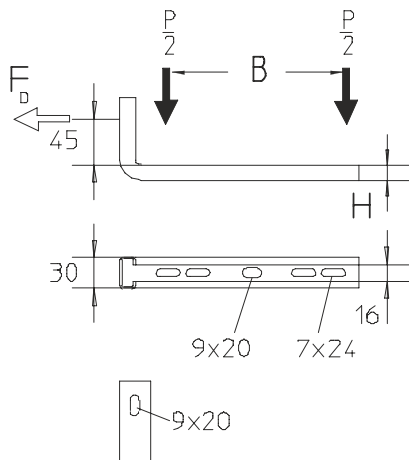
Stainless steel, according to ASTM 304 / BS 304 S 3

Product	H	B	L	P_{max}	F_D/P	G
KWLL 010E	15 mm	100 mm	110 mm	0,30 kN	2,00	0,13 kg
KWLL 020E	15 mm	200 mm	210 mm	0,30 kN	3,00	0,20 kg
KWLL 030E	15 mm	300 mm	310 mm	0,30 kN	4,00	0,28 kg

- H** : Height
- B** : Width
- L** : Length
- P_{max}** : Maximum permissible load
- F_D/P** : Dowel-to-anchor load
- G** : Weight

DETAILS / APPLICATIONS





OPTIONAL ACCESSORIES

SD, KLR



TÜV certified



Certified according to Det Norske Veritas (DNV) and Germanischer Lloyd (GL)

