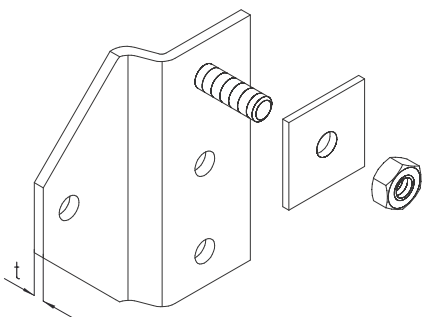


BLI

Corner angle

Wall bracket for mounting bracket holders KHI on the wall.



Hot-dip galvanized, according to BS 729 (DIN EN ISO 1461)

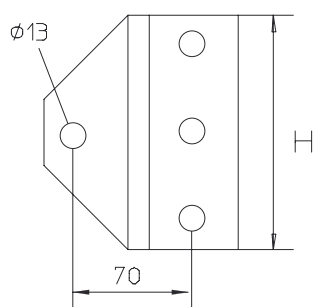
Product	H	t	G
BLI F	140 mm	6,00 mm	0,80 kg
Incl.:			
1x FRS 12X30F		Round-head screw with short square, DIN 603	
1x SEM 12F		Hexagon-nut, DIN 934	
1x RUS 50-L13F		Square washer	

H : Height

t : Material thickness

G : Weight

DETAILS / APPLICATIONS



OPTIONAL ACCESSORIES

SD

