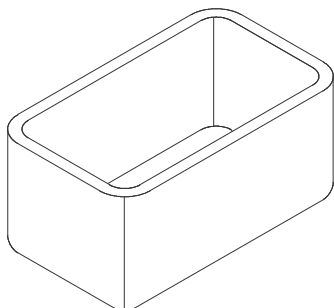


## SA 1

Protection end cap



Protective cap to put on, for profile rails with outer dimension 40x22 mm. To cover and protect the profile ends.

For trouble-free installation of the protective cap, a distance of min. 50 mm to the end of the profile must be observed. Free of halogens, silicones and other paint-wetting additives

Polyethylen

Product	G
SA 1	0,01 kg

**G** : Weight

