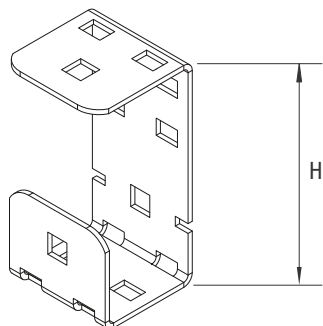


SUK 44

Central hanger

Central hanger for profiles.



Continuously hot galvanized (Sendzimir process) (DIN EN 10346)

Product	B	H	P_{max}	t	G
SUK 44S	45 mm	91 mm	0,15 kN	2,0 mm	0,14 kg

Hot-dip galvanized, according to BS 729 (DIN EN ISO 1461)

Product	B	H	P_{max}	t	G
SUK 44F	45 mm	91 mm	0,15 kN	2,0 mm	0,15 kg

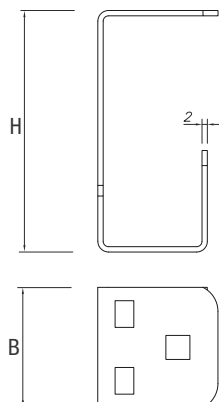
Stainless steel, according to ASTM 304 / BS 304 S 3

Product	B	H	P_{max}	t	G
SUK 44E	45 mm	91 mm	0,15 kN	2,0 mm	0,14 kg

- B**: Width
- H**: Height
- t**: Material thickness
- P_{max}** : Maximum permissible load
- G**: Weight

DETAILS / APPLICATIONS





System E30 - E90. CNBOP-PIB nr CNBOP-PIB-KOT-2017/0013-3703

