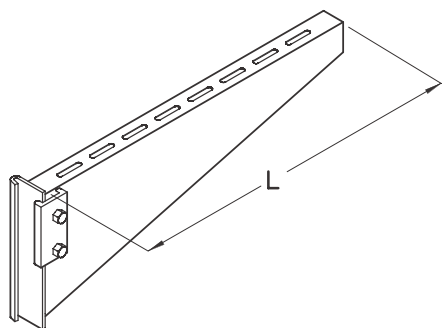


KTS

Bracket, heavy, profile I80



Bracket, heavy building class, for ceiling bracket support profile I 80, certified according to DIN EN 61357/VDE 0639.



• BAUA
GEPRÜFT
• TYPE
APPRO



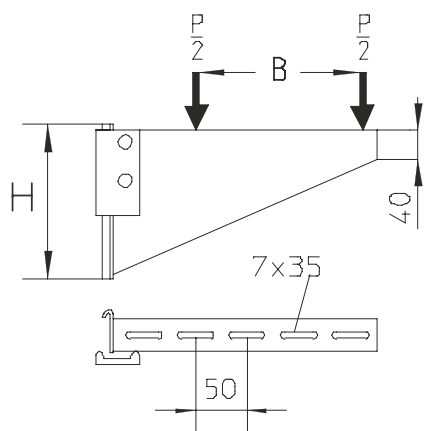
Hot-dip galvanized, according to BS 729 (DIN EN ISO 1461)

Product	H	B	L	P _{max}	G
KTS 020F	180 mm	200 mm	280 mm	7,00 kN	1,64 kg
KTS 030F	180 mm	300 mm	380 mm	6,30 kN	2,00 kg
KTS 040F	180 mm	400 mm	480 mm	5,50 kN	2,38 kg
KTS 050F	180 mm	500 mm	580 mm	4,90 kN	2,74 kg
KTS 060F	180 mm	600 mm	680 mm	4,30 kN	3,10 kg
KTS 070F	180 mm	600 mm	780 mm	3,60 kN	3,47 kg
KTS 080F	180 mm	600 mm	880 mm	3,00 kN	3,83 kg
KTS 090F	180 mm	600 mm	980 mm	2,30 kN	4,19 kg
KTS 100F	180 mm	600 mm	1080 mm	1,70 kN	4,56 kg

- H** : Height
- B** : Width
- L** : Length
- P_{max}** : Maximum load
- G** : Weight

DETAILS / APPLICATIONS





OPTIONAL ACCESSORIES

WPHS-K, KLU



TÜV certified



Certified according to Det Norske Veritas (DNV) and Germanischer Lloyd (GL)

