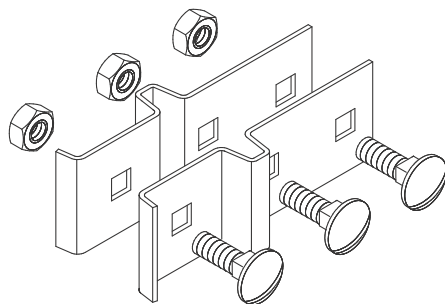


HKIW

Support connector, KT (180)

Mounting bracket for 90° joint of two KHI, axes equal.



Hot-dip galvanized, according to BS 729 (DIN EN ISO 1461)

Produkt	G
HKIW F	1,00 kg

incl.:	
3x FRS 12X30F	Round-head screw with square, DIN 603
3x SEM 12F	

G : Weight

DETAILS / APPLICATIONS

