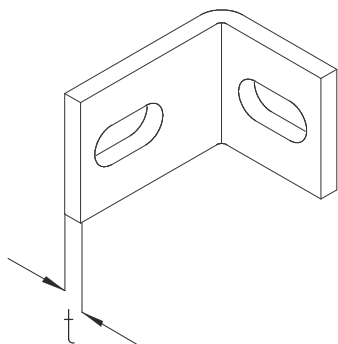


## BL 5

Corner angle, KHU 40/57/60, KHA

Wall angle for fastening bracket supports KHU 40/57/60 and KHA to walls.

This article is available made in material No. 1.4571/1.4404 (V4A) stainless steel finish.

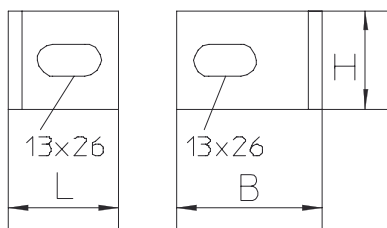


Hot-dip galvanized, according to BS 729 (DIN EN ISO 1461)

Product	H	B	L	t	G
BL 5F	40 mm	45 mm	60 mm	6,00 mm	0,20 kg

**H** : Height  
**B** : Width  
**L** : Length  
**t** : Material thickness  
**G** : Weight

## DETAILS / APPLICATIONS





## OPTIONAL ACCESSORIES

SD, SES, AM22, AMF22, HS18, AMF18, AM18



System E30 - E90. CNBOP-PIB nr CNBOP-PIB-KOT-2017/0013-3703

