

BGUDW

Head plate, profile U40/ U57/ U60

Head plate for ceiling mounting of bracket support U40/ U 57/ U 60.
For angled connection 30° - 90°.



Hot-dip galvanized, according to BS 729 (DIN EN ISO 1461)

Product	H	B	L	G
BGUDW F	120 mm	80 mm	200 mm	1,33 kg
Incl.:				
2x SES 10X25F		Hexagon head bolt, DIN 933		
2x SEM 10F		Hexagon-nut, DIN 934		
2x US 10X30F		Square washer, DIN 9021		

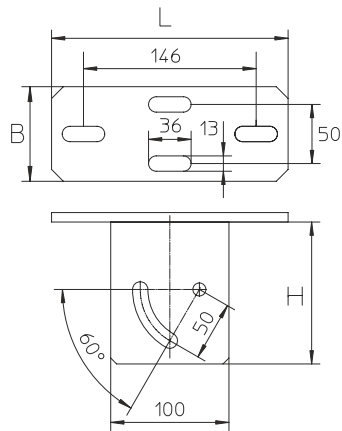
Stainless steel, according to ASTM 316 Ti / AISI 316 L, BS 320S17 / BS 316S11

Product	H	B	L	G
BGUDW E4	120 mm	80 mm	200 mm	1,24 kg
Incl.:				
2x SES 10X25E4		Hexagon head bolt, DIN 933		
2x SEM 10E4		Hexagon-nut, DIN 934		
2x US 10X30E4		Square washer, DIN 9021		

H : Height
B : Width
L : Length
G : Weight

DETAILS / APPLICATIONS





OPTIONAL ACCESSORIES

SD



Certified according to Det Norske Veritas (DNV) and Germanischer Lloyd (GL)



System E30 - E90. CNBOP-PIB nr CNBOP-PIB-KOT-2017/0013-3703

