

BGU 60

Head plate, profile KHU 60

Head plate for ceiling mounting of bracket support KHU 60.



Hot-dip galvanized, according to BS 729 (DIN EN ISO 1461)

Product	H	B	L	G
BGU 60F	120 mm	80 mm	200 mm	1,28 kg
Incl.:				
4x SES 10X25F		Hexagon head bolt, DIN 933		
4x SEM 10F		Hexagon-nut, DIN 934		
4x US 10X21F		Square washer, DIN 125		

Stainless steel, according to ASTM 304 / BS 304 S 3

Product	H	B	L	G
BGU 60E	120 mm	80 mm	200 mm	1,30 kg
Incl.:				
4x SES 10X25E		Hexagon head bolt, DIN 933		
4x SEM 10E		Hexagon-nut, DIN 934		
4x US 10X21E		Square washer, DIN 125		

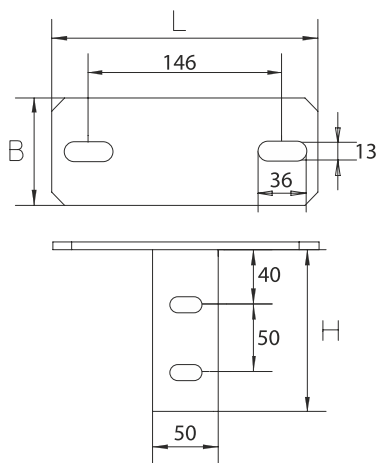
Stainless steel, according to ASTM 316 Ti / AISI 316 L, BS 320S17 / BS 316S11

Product	H	B	L	G
BGU 60E4	120 mm	80 mm	200 mm	1,30 kg
Incl.:				
4x SES 10X25E4		Hexagon head bolt, DIN 933		
4x SEM 10E4		Hexagon-nut, DIN 934		
4x US 10X21E4		Square washer, DIN 125		



H : Height
B : Width
L : Length
G : Weight

DETAILS / APPLICATIONS



Certified according to Det Norske Veritas (DNV) and Germanischer Lloyd (GL)



System E30 - E90. CNBOP-PIB nr CNBOP-PIB-KOT-2017/0013-3703

