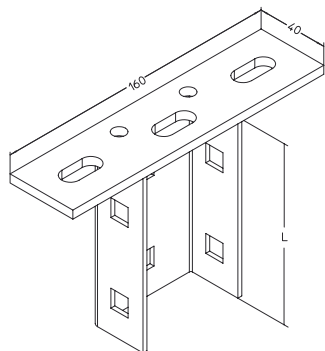


## BGU 57

Head plate, profile U57

Head plate for ceiling mounting of bracket support KHU 57.



Hot-dip galvanized, according to BS 729 (DIN EN ISO 1461)

Product	H	B	L	t	G
BGU 57F	100 mm	40 mm	160 mm	5,00 mm	0,54 kg
Incl.:					
2x FRSV 10X20F	Round-head screw with short square, DIN 603				
2x US 10X21F	Square washer, DIN 125				
2x SEM 10F	Hexagon-nut, DIN 934				

Stainless steel, according to ASTM 304 / BS 304 S 3

Product	H	B	L	t	G
BGU 57E	100 mm	40 mm	160 mm	5,00 mm	0,52 kg
Incl.:					
2x FRSV 10X20E	Round-head screw with short square, DIN 603				
2x US 10X21E	Square washer, DIN 125				
2x SEM 10E	Hexagon-nut, DIN 934				

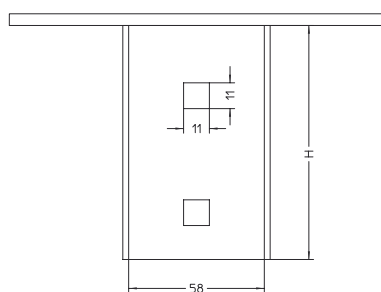
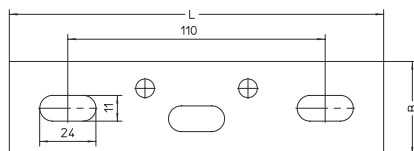
Stainless steel, according to ASTM 316 Ti / AISI 316 L, BS 320S17 / BS 316S11

Product	H	B	L	t	G
BGU 57E4	100 mm	40 mm	160 mm	5,00 mm	0,52 kg
Incl.:					
2x FRSV 10X20E4	Round-head screw with short square, DIN 603				
2x US 10X21E4	Square washer, DIN 125				
2x SEM 10E4	Hexagon-nut, DIN 934				



**H** : Height  
**B** : Width  
**L** : Length  
**t** : Material thickness  
**G** : Weight

## DETAILS / APPLICATIONS



System E30 - E90. CNBOP-PIB nr CNBOP-PIB-KOT-2017/0013-3703

