

## BGID

Head plate, profile I80

Head plate for ceiling mounting of bracket support I80.  
For angled connection +/- 30°.



• BAUA  
GEPRÜFT  
• TÜV  
APPRO

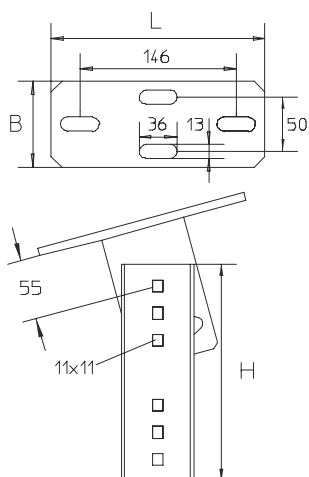


Hot-dip galvanized, according to BS 729 (DIN EN ISO 1461)

Product	H	B	L	G
BGID F	200 mm	80 mm	200 mm	2,30 kg
Incl.:				
2x FRS 10X30F				Round-head screw with short square, DIN 603
2x SES 10X30F				Hexagon head bolt, DIN 933
4x SEM 10F				Hexagon-nut, DIN 934

**H** : Height  
**B** : Width  
**L** : Length  
**G** : Weight

## DETAILS / APPLICATIONS



Page 1





## OPTIONAL ACCESSORIES

SD



TÜV certified



Certified according to Det Norske Veritas (DNV) and Germanischer Lloyd (GL)

