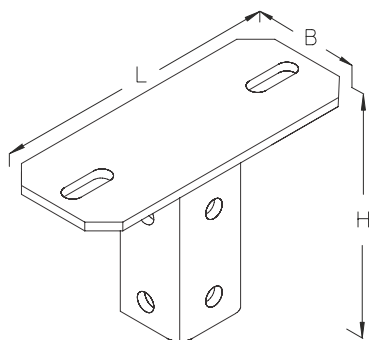


BGA 41

Head plate, profile 41

Head plate for ceiling mounting of bracket support KHA 41.

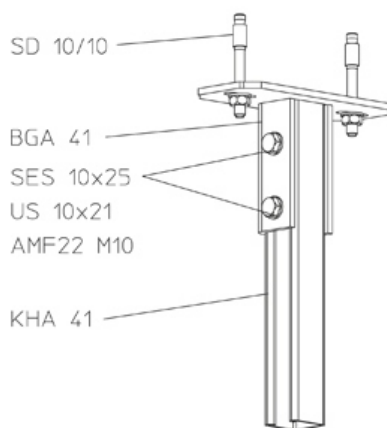
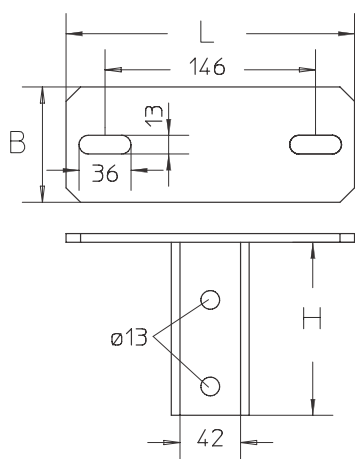


Hot-dip galvanized, according to BS 729 (DIN EN ISO 1461)

Product	H	B	L	G
BGA 41F	120 mm	80 mm	200 mm	1,47 kg

H : Height
B : Width
L : Length
G : Weight

DETAILS / APPLICATIONS





OPTIONAL ACCESSORIES

SD, SKL M, SES, AMF22, AM22, KHA 41



Certified according to Det Norske Veritas (DNV) and Germanischer Lloyd (GL)

