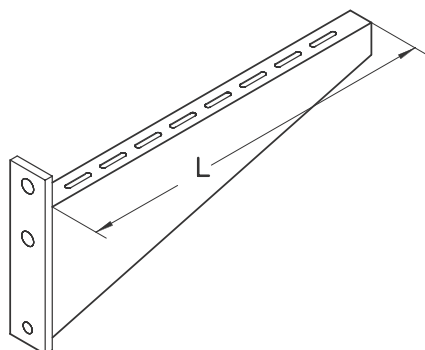


## KWS

bracket, heavy



Wall bracket as welded version, heavy. Certified according to DIN EN 61537. For mounting on walls or hanging struts.

$F_d/P$ : coefficient for calculation of the dowel load  $F_d$  with effective bracket load  $P$  respectively the sum of effective bracket loads. The load specifications are only valid with sufficient anchoring to the load-bearing substrate or with proper installation on hanging struts.

This article is available made in material No. 1.4571/1.4404 (V4A) stainless steel finish.



• BAUA  
• GSPRO  
• TYPE  
• APPRO



Hot-dip galvanized, according to BS 729 (DIN EN ISO 1461)

Product	B	L	$P_{max}$	$F_d/P$	G
KWS 020F	200 mm	280 mm	7,00 kN	1,31	2,04 kg
KWS 030F	300 mm	380 mm	6,70 kN	1,49	2,40 kg
KWS 040F	400 mm	480 mm	6,50 kN	1,69	2,78 kg
KWS 050F	500 mm	580 mm	6,30 kN	1,91	2,91 kg
KWS 060F	600 mm	680 mm	6,10 kN	2,13	3,22 kg
KWS 070F	600 mm	780 mm	5,20 kN	2,60	3,54 kg
KWS 080F	600 mm	880 mm	4,40 kN	3,07	3,85 kg
KWS 090F	600 mm	980 mm	3,60 kN	3,56	4,17 kg
KWS 100F	600 mm	1080 mm	2,80 kN	4,06	4,48 kg

Stainless steel, according to ASTM 304 / BS 304 S 3

Product	B	L	$P_{max}$	$F_d/P$	G
KWS 020E	200 mm	280 mm	7,00 kN	1,31	1,92 kg
KWS 030E	300 mm	380 mm	6,70 kN	1,49	2,26 kg
KWS 040E	400 mm	480 mm	6,50 kN	1,69	2,61 kg
KWS 050E	500 mm	580 mm	6,30 kN	1,91	2,95 kg
KWS 060E	600 mm	680 mm	6,10 kN	2,13	3,29 kg
KWS 070E	600 mm	780 mm	5,20 kN	2,60	3,64 kg
KWS 080E	600 mm	880 mm	4,40 kN	3,07	3,97 kg



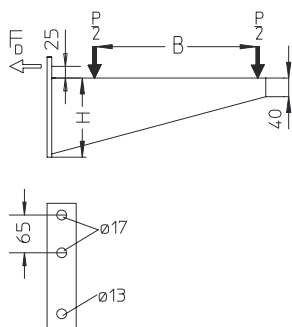
Product	B	L	$P_{max}$	$F_D/P$	G
KWS 090E	600 mm	980 mm	3,60 kN	3,56	4,32 kg
KWS 100E	600 mm	1080 mm	2,80 kN	4,06	4,67 kg

Stainless steel, according to ASTM 316 Ti / AISI 316 L, BS 320S17 / BS 316S11

Product	B	L	$P_{max}$	$F_D/P$	G
KWS 020E4	200 mm	280 mm	7,00 kN	1,31	1,92 kg
KWS 030E4	300 mm	380 mm	6,70 kN	1,49	2,26 kg
KWS 040E4	400 mm	480 mm	6,50 kN	1,69	2,61 kg
KWS 050E4	500 mm	580 mm	6,30 kN	1,91	2,95 kg
KWS 060E4	600 mm	680 mm	6,10 kN	2,13	3,29 kg
KWS 070E4	600 mm	780 mm	5,20 kN	2,60	3,64 kg
KWS 080E4	600 mm	880 mm	4,40 kN	3,07	3,97 kg
KWS 090E4	600 mm	980 mm	3,60 kN	3,56	4,32 kg
KWS 100E4	600 mm	1080 mm	2,80 kN	4,06	4,67 kg

- B** : Width
- L** : Length
- $P_{max}$**  : Maximum load
- $F_D/P$**  : Dowel-to-anchor load
- G** : Weight

## DETAILS / APPLICATIONS





## OPTIONAL ACCESSORIES

SD, KDU 57, KLU, WPHS-K, KLR



TÜV certified



Certified according to Det Norske Veritas (DNV) and Germanischer Lloyd (GL)

