

SLS

Ship ladder inside outside riser, height=30 mm.

Ship ladder bend 90° for vertical change of direction.

Steel, untreated and non-corrosive

Product	H	B	R	G
SLS 075B	30 mm	75 mm	150 mm	1,61 kg
SLS 100B	30 mm	100 mm	150 mm	1,74 kg
SLS 150B	30 mm	150 mm	150 mm	1,98 kg
SLS 200B	30 mm	200 mm	150 mm	2,23 kg
SLS 250B	30 mm	250 mm	150 mm	2,47 kg
SLS 300B	30 mm	300 mm	150 mm	2,72 kg
SLS 400B	30 mm	400 mm	150 mm	3,21 kg
SLS 500B	30 mm	500 mm	150 mm	3,70 kg

Hot-dip galvanized, according to BS 729 (DIN EN ISO 1461)

Product	H	B	R	G
SLS 075F	30 mm	75 mm	150 mm	1,80 kg
SLS 100F	30 mm	100 mm	150 mm	1,95 kg
SLS 150F	30 mm	150 mm	150 mm	2,22 kg
SLS 200F	30 mm	200 mm	150 mm	2,50 kg
SLS 250F	30 mm	250 mm	150 mm	2,77 kg
SLS 300F	30 mm	300 mm	150 mm	3,05 kg
SLS 400F	30 mm	400 mm	150 mm	3,60 kg
SLS 500F	30 mm	500 mm	150 mm	4,14 kg

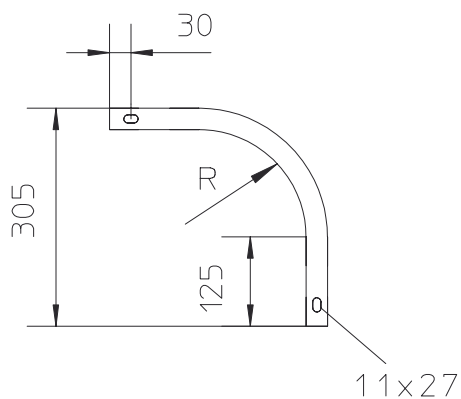


Stainless steel, according to ASTM 304 / BS 304 S 3

Product	H	B	R	G
SLS 075E	30 mm	75 mm	150 mm	1,61 kg
SLS 100E	30 mm	100 mm	150 mm	1,74 kg
SLS 150E	30 mm	150 mm	150 mm	1,98 kg
SLS 200E	30 mm	200 mm	150 mm	2,23 kg
SLS 250E	30 mm	250 mm	150 mm	2,47 kg
SLS 300E	30 mm	300 mm	150 mm	2,72 kg
SLS 400E	30 mm	400 mm	150 mm	3,21 kg
SLS 500E	30 mm	500 mm	150 mm	3,70 kg

H : Height
B : Width
R : Radius
G : Weight

DETAILS / APPLICATIONS



OPTIONAL ACCESSORIES

SLW, SLV, SLW

