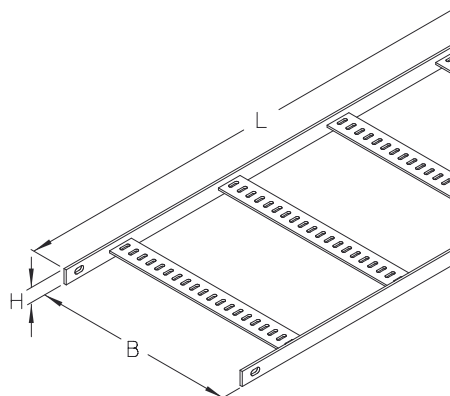


## SKL

Ship ladder, height=30 mm, length=3000 mm



Ship ladder with continuously perforated and welded rungs made of flat-steel.

Product in version SKL\* available with perforated sides.

**Steel, untreated and non-corrosive**

Product	H	B	L	G
SKL 075B	30 mm	75 mm	3000 mm	8,86 kg
SKL 100B	30 mm	100 mm	3000 mm	9,35 kg
SKL 150B	30 mm	150 mm	3000 mm	10,34 kg
SKL 200B	30 mm	200 mm	3000 mm	11,32 kg
SKL 250B	30 mm	250 mm	3000 mm	12,30 kg
SKL 300B	30 mm	300 mm	3000 mm	13,29 kg
SKL 400B	30 mm	400 mm	3000 mm	15,26 kg
SKL 500B	30 mm	500 mm	3000 mm	17,22 kg

**Hot-dip galvanized, according to BS 729 (DIN EN ISO 1461)**

Product	H	B	L	G
SKL 075F	30 mm	75 mm	3000 mm	9,92 kg
SKL 100F	30 mm	100 mm	3000 mm	10,47 kg
SKL 150F	30 mm	150 mm	3000 mm	11,58 kg
SKL 200F	30 mm	200 mm	3000 mm	12,68 kg
SKL 250F	30 mm	250 mm	3000 mm	13,78 kg
SKL 300F	30 mm	300 mm	3000 mm	14,88 kg
SKL 400F	30 mm	400 mm	3000 mm	17,09 kg
SKL 500F	30 mm	500 mm	3000 mm	19,29 kg

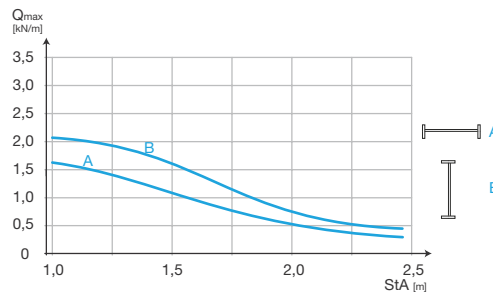
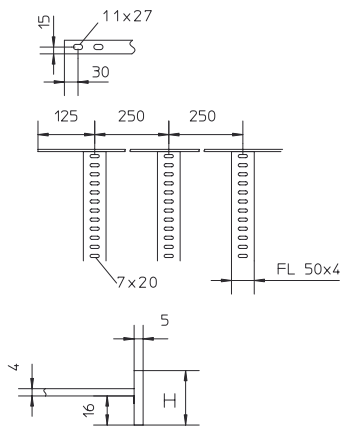


Stainless steel, according to ASTM 304 / BS 304 S 3

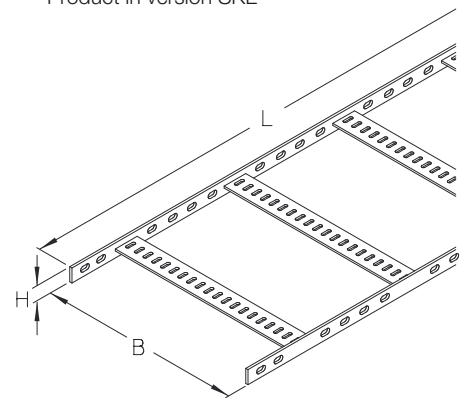
Product	H	B	L	G
SKL 075E	30 mm	75 mm	3000 mm	8,86 kg
SKL 100E	30 mm	100 mm	3000 mm	9,35 kg
SKL 150E	30 mm	150 mm	3000 mm	10,34 kg
SKL 200E	30 mm	200 mm	3000 mm	11,32 kg
SKL 250E	30 mm	250 mm	3000 mm	12,30 kg
SKL 300E	30 mm	300 mm	3000 mm	13,29 kg
SKL 400E	30 mm	400 mm	3000 mm	15,26 kg
SKL 500E	30 mm	500 mm	3000 mm	17,22 kg

**H** : Height  
**B** : Width  
**L** : Length  
**G** : Weight

## DETAILS / APPLICATIONS



Product in version SKL\*



## OPTIONAL ACCESSORIES

SLW, SLV, SLW

