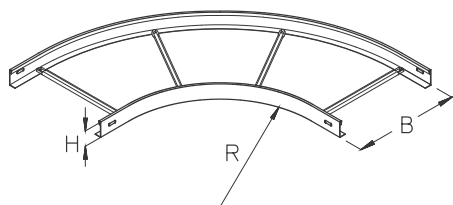


LAB 60

Cable ladder outside bend, height=60 mm



Cable ladder outside bend 90° for horizontal change of direction.
Riveted rungs.

Fittings are also available in an angular shape.

This article is available made in material No. 1.4571/1.4404 (V4A) stainless steel finish.



Continuously hot galvanized (Sendzimir process) (DIN EN 10346)

Product	H	B	R	G
LAB 60-10S	60 mm	100 mm	600 mm	2,74 kg
LAB 60-20S	60 mm	200 mm	700 mm	3,53 kg
LAB 60-30S	60 mm	300 mm	800 mm	4,41 kg
LAB 60-40S	60 mm	400 mm	900 mm	5,38 kg
LAB 60-50S	60 mm	500 mm	1000 mm	6,43 kg
LAB 60-60S	60 mm	600 mm	1100 mm	7,57 kg

Hot-dip galvanized, according to BS 729 (DIN EN ISO 1461)

Product	H	B	R	G
LAB 60-10F	60 mm	100 mm	600 mm	3,07 kg
LAB 60-20F	60 mm	200 mm	700 mm	3,95 kg
LAB 60-30F	60 mm	300 mm	800 mm	4,94 kg
LAB 60-40F	60 mm	400 mm	900 mm	6,02 kg
LAB 60-50F	60 mm	500 mm	1000 mm	7,20 kg
LAB 60-60F	60 mm	600 mm	1100 mm	8,48 kg

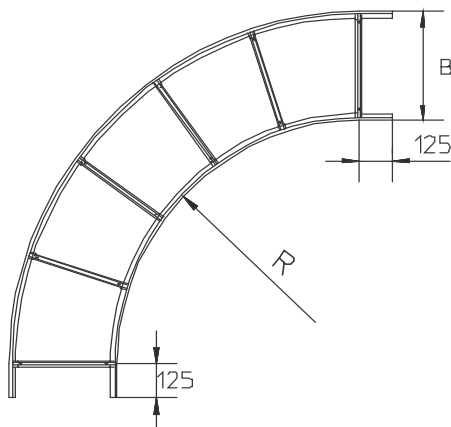


Stainless steel, according to ASTM 304 / BS 304 S 3

Product	H	B	R	G
LAB 60-10E	60 mm	100 mm	600 mm	2,74 kg
LAB 60-20E	60 mm	200 mm	700 mm	3,53 kg
LAB 60-30E	60 mm	300 mm	800 mm	4,41 kg
LAB 60-40E	60 mm	400 mm	900 mm	5,38 kg
LAB 60-50E	60 mm	500 mm	1000 mm	6,43 kg
LAB 60-60E	60 mm	600 mm	1100 mm	7,57 kg

H : Height
B : Width
R : Radius
G : Weight

DETAILS / APPLICATIONS



OPTIONAL ACCESSORIES

LGV 60, LHVH 60, LGW 60, KLU



Do not walk upon!



System E30 - E90. CNBOP-PIB nr CNBOP-PIB-KOT-2017/0013-3703

Page 2

