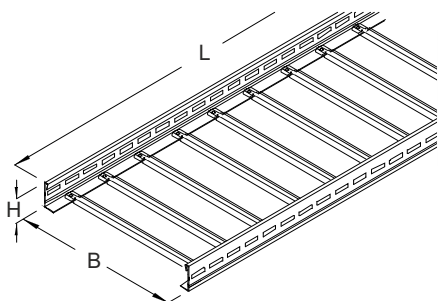


LG-BSN 60

Cable ladder, height=60 mm



Cable ladder with continuously perforated side beams riveted rungs made of C-profile certified including electrical conductivity according to DIN EN 61537.

This article is available made in material No. 1.4571/1.4404 (V4A) stainless steel finish.



Continuously hot galvanized (Sendzimir process) (DIN EN 10346)

Product	H	B	L	A	Q _{LK}	G
LG-BSN 60-10-3S	60 mm	100 mm	3000 mm	51 cm ²	0,15 kN/m	7,51 kg
LG-BSN 60-20-3S	60 mm	200 mm	3000 mm	103 cm ²	0,29 kN/m	8,38 kg
LG-BSN 60-30-3S	60 mm	300 mm	3000 mm	155 cm ²	0,44 kN/m	9,24 kg
LG-BSN 60-40-3S	60 mm	400 mm	3000 mm	208 cm ²	0,58 kN/m	10,10 kg
LG-BSN 60-50-3S	60 mm	500 mm	3000 mm	260 cm ²	0,73 kN/m	10,97 kg
LG-BSN 60-60-3S	60 mm	600 mm	3000 mm	313 cm ²	0,88 kN/m	11,83 kg
LG-BSN 60-10S	60 mm	100 mm	6000 mm	51 cm ²	0,15 kN/m	15,03 kg
LG-BSN 60-20S	60 mm	200 mm	6000 mm	103 cm ²	0,29 kN/m	16,76 kg
LG-BSN 60-30S	60 mm	300 mm	6000 mm	155 cm ²	0,44 kN/m	18,48kg
LG-BSN 60-40S	60 mm	400 mm	6000 mm	208 cm ²	0,58 kN/m	20,21 kg
LG-BSN 60-50S	60 mm	500 mm	6000 mm	260 cm ²	0,73 kN/m	21,94 kg
LG-BSN 60-60S	60 mm	600 mm	6000 mm	313 cm ²	0,88 kN/m	23,66 kg

Hot-dip galvanized, according to BS 729 (DIN EN ISO 1461)

Product	H	B	L	A	Q _{LK}	G
LG-BSN 60-10-3F	60 mm	100 mm	3000 mm	51 cm ²	0,15 kN/m	8,08 kg
LG-BSN 60-20-3F	60 mm	200 mm	3000 mm	103 cm ²	0,29 kN/m	9,02 kg
LG-BSN 60-30-3F	60 mm	300 mm	3000 mm	155 cm ²	0,44 kN/m	9,97 kg





Product	H	B	L	A	Q_{LK}	G
LG-BSN 60-40-3F	60 mm	400 mm	3000 mm	208 cm ²	0,58 kN/m	10,91 kg
LG-BSN 60-50-3F	60 mm	500 mm	3000 mm	260 cm ²	0,73 kN/m	11,86 kg
LG-BSN 60-60-3F	60 mm	600 mm	3000 mm	313 cm ²	0,88 kN/m	12,81 kg
LG-BSN 60-10F	60 mm	100 mm	6000 mm	51 cm ²	0,15 kN/m	16,15 kg
LG-BSN 60-20F	60 mm	200 mm	6000 mm	103 cm ²	0,29 kN/m	18,04 kg
LG-BSN 60-30F	60 mm	300 mm	6000 mm	155 cm ²	0,44 kN/m	19,94 kg
LG-BSN 60-40F	60 mm	400 mm	6000 mm	208 cm ²	0,58 kN/m	21,83 kg
LG-BSN 60-50F	60 mm	500 mm	6000 mm	260 cm ²	0,73 kN/m	23,72 kg
LG-BSN 60-60F	60 mm	600 mm	6000 mm	313 cm ²	0,88 kN/m	25,61 kg

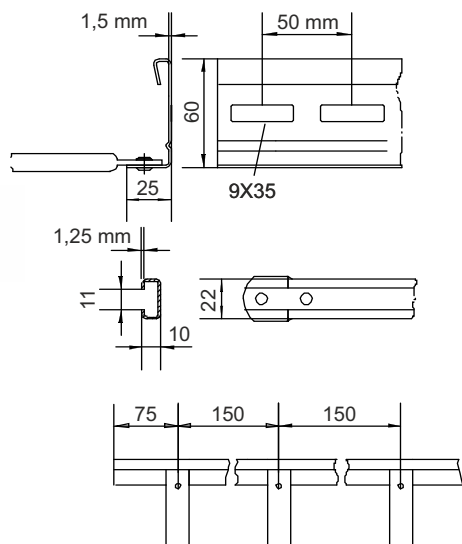
Stainless steel, according to ASTM 304 / BS 304 S 3

Product	H	B	L	A	Q_{LK}	G
LG-BSN 60-10-3E	60 mm	100 mm	3000 mm	51 cm ²	0,15 kN/m	7,51 kg
LG-BSN 60-20-3E	60 mm	200 mm	3000 mm	103 cm ²	0,29 kN/m	8,38 kg
LG-BSN 60-30-3E	60 mm	300 mm	3000 mm	155 cm ²	0,44 kN/m	9,24 kg
LG-BSN 60-40-3E	60 mm	400 mm	3000 mm	208 cm ²	0,58 kN/m	10,10 kg
LG-BSN 60-50-3E	60 mm	500 mm	3000 mm	260 cm ²	0,73 kN/m	10,97 kg
LG-BSN 60-60-3E	60 mm	600 mm	3000 mm	313 cm ²	0,88 kN/m	11,83 kg
LG-BSN 60-10E	60 mm	100 mm	6000 mm	51 cm ²	0,15 kN/m	15,03 kg
LG-BSN 60-20E	60 mm	200 mm	6000 mm	103 cm ²	0,29 kN/m	16,76 kg
LG-BSN 60-30E	60 mm	300 mm	6000 mm	155 cm ²	0,44 kN/m	18,48kg
LG-BSN 60-40E	60 mm	400 mm	6000 mm	208 cm ²	0,58 kN/m	20,21 kg
LG-BSN 60-50E	60 mm	500 mm	6000 mm	260 cm ²	0,73 kN/m	21,94 kg
LG-BSN 60-60E	60 mm	600 mm	6000 mm	313 cm ²	0,88 kN/m	23,66 kg

- H** : Height
- B** : Width
- L** : Length
- A** : Cross section area
- Q_{LK}** : Distributed load power cable
- G** : Weight



DETAILS / APPLICATIONS



OPTIONAL ACCESSORIES

SL 60, LGV 60, LGVH 60, LGV 60, LIB 60, LAB 60, LVB 60, LA 60, LK 60, LTR 60, KLU, B, HB, KAB



Do not walk upon!



E-90

System E 90. CNBOP-PIB nr CNBOP-PIB-KOT-2017/0013-3703

