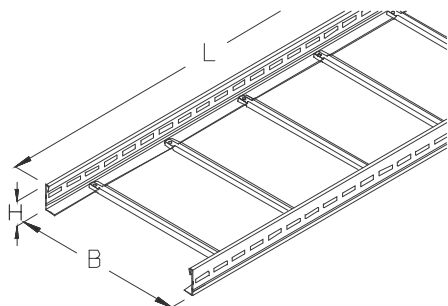


LG 60

Cable ladder, height=60 mm



Cable ladder with continuously perforated side beams riveted rungs made of C-profile certified including electrical conductivity according to DIN EN 61537.

This article is available made in material No. 1.4571/1.4404 (V4A) stainless steel finish.

The value Pmax applies when the ladder is used as vertical ladder.



Continuously hot galvanized (Sendzimir process) (DIN EN 10346)

Product	H	B	L	A	Q _{LK}	P _{max}	G
LG 60-10-3S	60 mm	100 mm	3000 mm	51 cm ²	0,15 kN/m	1,00 kN	7,40 kg
LG 60-20-3S	60 mm	200 mm	3000 mm	103 cm ²	0,29 kN/m	1,00 kN	7,80 kg
LG 60-30-3S	60 mm	300 mm	3000 mm	155 cm ²	0,44 kN/m	1,00 kN	8,30 kg
LG 60-40-3S	60 mm	400 mm	3000 mm	208 cm ²	0,58 kN/m	1,00 kN	8,70 kg
LG 60-50-3S	60 mm	500 mm	3000 mm	260 cm ²	0,73 kN/m	1,00 kN	9,20 kg
LG 60-60-3S	60 mm	600 mm	3000 mm	313 cm ²	0,88 kN/m	1,00 kN	9,60 kg
LG 60-10S	60 mm	100 mm	6000 mm	51 cm ²	0,15 kN/m	1,00 kN	14,70 kg
LG 60-20S	60 mm	200 mm	6000 mm	103 cm ²	0,29 kN/m	1,00 kN	15,60 kg
LG 60-30S	60 mm	300 mm	6000 mm	155 cm ²	0,44 kN/m	1,00 kN	16,50 kg
LG 60-40S	60 mm	400 mm	6000 mm	208 cm ²	0,58 kN/m	1,00 kN	17,40 kg
LG 60-50S	60 mm	500 mm	6000 mm	260 cm ²	0,73 kN/m	1,00 kN	18,30 kg
LG 60-60S	60 mm	600 mm	6000 mm	313 cm ²	0,88 kN/m	1,00 kN	19,10 kg

Hot-dip galvanized, according to BS 729 (DIN EN ISO 1461)

Product	H	B	L	A	Q _{LK}	P _{max}	G
LG 60-10-3F	60 mm	100 mm	3000 mm	51 cm ²	0,15 kN/m	1,00 kN	8,10 kg
LG 60-20-3F	60 mm	200 mm	3000 mm	103 cm ²	0,29 kN/m	1,00 kN	8,60 kg
LG 60-30-3F	60 mm	300 mm	3000 mm	155 cm ²	0,44 kN/m	1,00 kN	9,10 kg





Product	H	B	L	A	Q_{LK}	P_{max}	G
LG 60-40-3F	60 mm	400 mm	3000 mm	208 cm ²	0,58 kN/m	1,00 kN	9,50 kg
LG 60-50-3F	60 mm	500 mm	3000 mm	260 cm ²	0,73 kN/m	1,00 kN	10,00 kg
LG 60-60-3F	60 mm	600 mm	3000 mm	313 cm ²	0,88 kN/m	1,00 kN	10,50 kg
LG 60-10F	60 mm	100 mm	6000 mm	51 cm ²	0,15 kN/m	1,00 kN	16,10 kg
LG 60-20F	60 mm	200 mm	6000 mm	103 cm ²	0,29 kN/m	1,00 kN	17,10 kg
LG 60-30F	60 mm	300 mm	6000 mm	155 cm ²	0,44 kN/m	1,00 kN	18,10 kg
LG 60-40F	60 mm	400 mm	6000 mm	208 cm ²	0,58 kN/m	1,00 kN	18,90 kg
LG 60-50F	60 mm	500 mm	6000 mm	260 cm ²	0,73 kN/m	1,00 kN	19,90 kg
LG 60-60F	60 mm	600 mm	6000 mm	313 cm ²	0,88 kN/m	1,00 kN	20,90 kg

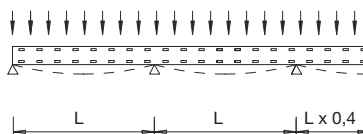
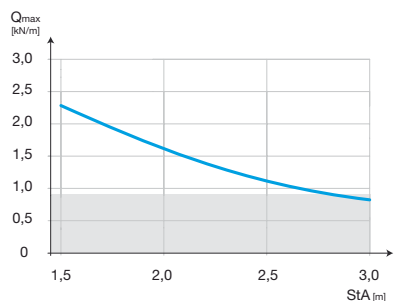
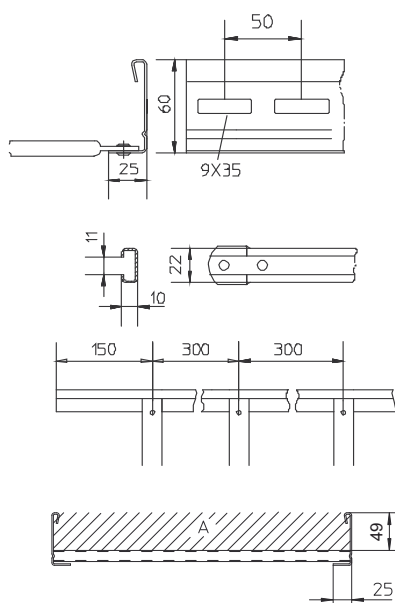
Stainless steel, according to ASTM 304 / BS 304 S 3

Product	H	B	L	A	Q_{LK}	P_{max}	G
LG 60-10-3E	60 mm	100 mm	3000 mm	51 cm ²	0,15 kN/m	1,00 kN	7,40 kg
LG 60-20-3E	60 mm	200 mm	3000 mm	103 cm ²	0,29 kN/m	1,00 kN	7,80 kg
LG 60-30-3E	60 mm	300 mm	3000 mm	155 cm ²	0,44 kN/m	1,00 kN	8,30 kg
LG 60-40-3E	60 mm	400 mm	3000 mm	208 cm ²	0,58 kN/m	1,00 kN	8,70 kg
LG 60-50-3E	60 mm	500 mm	3000 mm	260 cm ²	0,73 kN/m	1,00 kN	9,20 kg
LG 60-60-3E	60 mm	600 mm	3000 mm	313 cm ²	0,88 kN/m	1,00 kN	9,60 kg
LG 60-10E	60 mm	100 mm	6000 mm	51 cm ²	0,15 kN/m	1,00 kN	14,70 kg
LG 60-20E	60 mm	200 mm	6000 mm	103 cm ²	0,29 kN/m	1,00 kN	15,60 kg
LG 60-30E	60 mm	300 mm	6000 mm	155 cm ²	0,44 kN/m	1,00 kN	16,50 kg
LG 60-40E	60 mm	400 mm	6000 mm	208 cm ²	0,58 kN/m	1,00 kN	17,40 kg
LG 60-50E	60 mm	500 mm	6000 mm	260 cm ²	0,73 kN/m	1,00 kN	18,30 kg
LG 60-60E	60 mm	600 mm	6000 mm	313 cm ²	0,88 kN/m	1,00 kN	19,10 kg

- H** : Height
- B** : Width
- L** : Length
- A** : Cross section area
- Q_{LK}** : Distributed load power cable
- P_{max}** : Maximum load
- G** : Weight



DETAILS / APPLICATIONS



OPTIONAL ACCESSORIES

SL 60, LGV 60, LGVH 60, LGV 60, LIB 60, LAB 60, LVB 60, LA 60, LK 60, LTR 60, KLU, B, HB, KAB



Do not walk upon!



System E30 - E90. CNBOP-PIB nr CNBOP-PIB-KOT-2017/0013-3703

