

RDOR

Cable tray cover with turning bolts

Cable tray cover with turning bolts. Installation of covers in outdoor areas requires additional provisions against storm forces. Turning bolts are in no case sufficient as security provision.

This article is available made in material No. 1.4571/1.4404 (V4A) stainless steel finish.



Continuously hot galvanized (Sendzimir process) (DIN EN 10346)

Product	B	L	t	G
RDOR 05S	50 mm	3000 mm	1,00 mm	1,83 kg
RDOR 10S	100 mm	3000 mm	1,00 mm	3,17 kg
RDOR 20S	200 mm	3000 mm	1,00 mm	5,53 kg
RDOR 30S	300 mm	3000 mm	1,00 mm	7,88 kg
RDOR 40S	400 mm	3000 mm	1,00 mm	10,24 kg
RDOR 50S	500 mm	3000 mm	1,00 mm	12,59 kg
RDOR 60S	600 mm	3000 mm	1,00 mm	14,95 kg

Hot-dip galvanized, according to BS 729 (DIN EN ISO 1461)

Product	B	L	L	G
RDOR 05F	50 mm	3000 mm	1,00 mm	2,02 kg
RDOR 10F	100 mm	3000 mm	1,00 mm	3,51 kg
RDOR 20F	200 mm	3000 mm	1,00 mm	6,12 kg
RDOR 30F	300 mm	3000 mm	1,00 mm	8,74 kg
RDOR 40F	400 mm	3000 mm	1,00 mm	11,35 kg
RDOR 50F	500 mm	3000 mm	1,00 mm	13,97 kg
RDOR 60F	600 mm	3000 mm	1,00 mm	16,58 kg

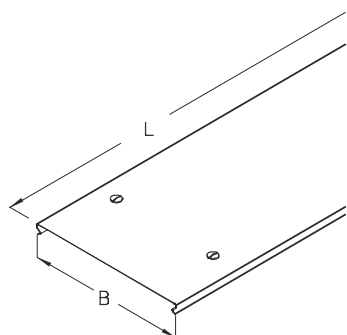


Stainless steel, according to ASTM 304 / BS 304 S 3

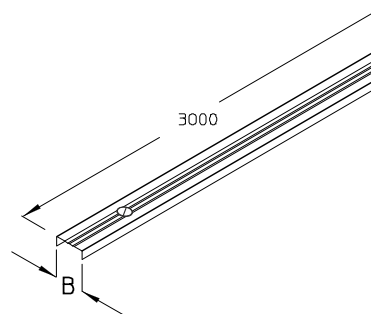
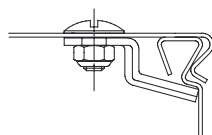
Product	B	L	t	G
RDOR 05E	50 mm	3000 mm	1,00 mm	1,83 kg
RDOR 10E	100 mm	3000 mm	1,00 mm	3,17 kg
RDOR 20E	200 mm	3000 mm	1,00 mm	5,53 kg
RDOR 30E	300 mm	3000 mm	1,00 mm	7,88 kg
RDOR 40E	400 mm	3000 mm	1,00 mm	10,24 kg
RDOR 50E	500 mm	3000 mm	1,00 mm	12,59 kg
RDOR 60E	600 mm	3000 mm	1,00 mm	14,95 kg

B : Width
L : Length
G : Weight

DETAILS / APPLICATIONS



RD 10 to RD 60



only RD 05



System E 90. CNBOP-PIB.

