

R 60

Cable tray, not perforated, height=60 mm

Cable tray, not perforated, head shape suitable for positive locking covers, with longitudinal and lateral reinforcing rims reducing bottom deflection, certified including electrical conductivity according to DIN EN 61537. Side and bottom connectors are provided for assembly.

This article is available made in material No. 1.4571/1.4404 (V4A) stainless steel finish.



Continuously hot galvanized (Sendzimir process) (DIN EN 10346)

Product	H	B	L	A	Q _{SK}	t	G
R 60-05S	60 mm	50 mm	3000 mm	30 cm ²	0,04 kN/m	0,75 mm	3,50 kg
R 60-10S	60 mm	100 mm	3000 mm	56 cm ²	0,09 kN/m	0,75 mm	4,60 kg
R 60-15S	60 mm	150 mm	3000 mm	75 cm ²	0,12 kN/m	0,75 mm	5,50 kg
R 60-20S	60 mm	200 mm	3000 mm	113 cm ²	0,17 kN/m	0,75 mm	6,40 kg
R 60-30S	60 mm	300 mm	3000 mm	171 cm ²	0,26 kN/m	0,75 mm	8,10 kg
R 60-40S	60 mm	400 mm	3000 mm	228 cm ²	0,34 kN/m	0,88 mm	11,60 kg
R 60-50S	60 mm	500 mm	3000 mm	286 cm ²	0,43 kN/m	1,00 mm	15,50 kg
R 60-60S	60 mm	600 mm	3000 mm	343 cm ²	0,52 kN/m	1,00 mm	17,90 kg

Hot-dip galvanized, according to BS 729 (DIN EN ISO 1461)

Product	H	B	L	A	Q _{SK}	t	G
R 60-05F	60 mm	50 mm	3000 mm	30 cm ²	0,04 kN/m	0,75 mm	3,90 kg
R 60-10F	60 mm	100 mm	3000 mm	56 cm ²	0,09 kN/m	0,75 mm	5,20 kg
R 60-20F	60 mm	150 mm	3000 mm	75 cm ²	0,12 kN/m	0,75 mm	6,30 kg
R 60-20F	60 mm	200 mm	3000 mm	113 cm ²	0,17 kN/m	0,75 mm	7,10 kg
R 60-30F	60 mm	300 mm	3000 mm	171 cm ²	0,26 kN/m	0,75 mm	9,10 kg
R 60-40F	60 mm	400 mm	3000 mm	228 cm ²	0,34 kN/m	0,88 mm	12,80 kg
R 60-50F	60 mm	500 mm	3000 mm	286 cm ²	0,43 kN/m	0,88 mm	16,90 kg
R 60-60F	60 mm	600 mm	3000 mm	343 cm ²	0,52 kN/m	0,52 mm	19,50 kg

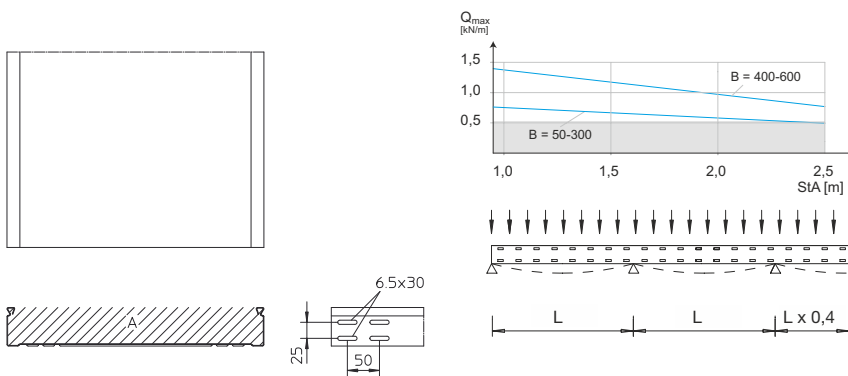


Stainless steel, according to ASTM 304 / BS 304 S 3

Product	H	B	L	A	Q_{sk}	t	G
R 60-05E	60 mm	50 mm	3000 mm	30 cm ²	0,04 kN/m	0,75 mm	3,50 kg
R 60-10E	60 mm	100 mm	3000 mm	56 cm ²	0,09 kN/m	0,75 mm	4,60 kg
R 60-15E	60 mm	150 mm	3000 mm	75 cm ²	0,12 kN/m	0,75 mm	5,50 kg
R 60-20E	60 mm	200 mm	3000 mm	113 cm ²	0,17 kN/m	0,75 mm	6,40 kg
R 60-30E	60 mm	300 mm	3000 mm	171 cm ²	0,26 kN/m	0,75 mm	8,10 kg
R 60-40E	60 mm	400 mm	3000 mm	228 cm ²	0,34 kN/m	0,88 mm	11,60 kg
R 60-50E	60 mm	500 mm	3000 mm	286 cm ²	0,43 kN/m	1,00 mm	15,50 kg
R 60-60E	60 mm	600 mm	3000 mm	343 cm ²	0,52 kN/m	1,00 mm	17,90 kg

- H** : Height
- B** : Width
- L** : Length
- t** : Material thickness
- A** : Cross section area
- Q_{sk}** : Distributed load control cable
- G** : Weight

DETAILS / APPLICATIONS



OPTIONAL ACCESSORIES

RB 60, RB45 60, RAE 60, RAA 60, RA 60, RK 60, RVB 60, RR 60, RAB 60, REB, RGV 60, RGVS, VB, RTR 60, KLR





Do not walk upon!



Certyfikat UL



System E 90. CNBOP-PIB

