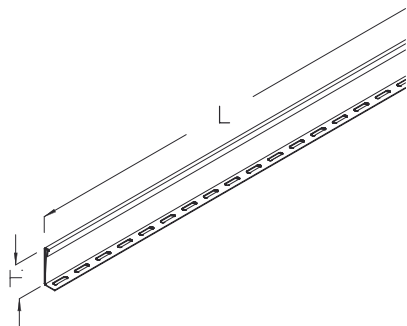


## GTR 50

Wire-mesh cable tray separating strip, height=33 mm



Wire mesh cable tray separating strip including clamp.

This article is available made in material No. 1.4571/1.4404 (V4A) stainless steel finish.



### Continuously hot galvanized (Sendzimir process) (DIN EN 10346)

Product	H	L	G
GTR 50S	33 mm	3000 mm	1,58 kg
Incl.:			
1,5x KLR		Clamp fastening set	

### Hot-dip galvanized, according to BS 729 (DIN EN ISO 1461)

Product	H	L	G
GTR 50F	33 mm	3000 mm	1,75 kg
Incl.:			
1,5x KLR E		Clamp fastening set	

### Stainless steel, according to ASTM 304 / BS 304 S 3

Product	H	L	G
GTR 50E	33 mm	3000 mm	1,64 kg
Incl.:			
1,5x KLR E		Clamp fastening set	

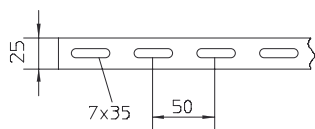


Stainless steel, according to ASTM 316 Ti / AISI 316 L, BS 320S17 / BS 316S11

Product	H	L	G
GTR 50E4	33 mm	3000 mm	1,66 kg
Incl.:			
1,5x KLU E4		Clamp fastening set	

**H** : Height  
**L** : Length  
**G** : Weight

## DETAILS / APPLICATIONS



System E30 - E90. CNBOP-PIB-KOT-2017/0013-3703

