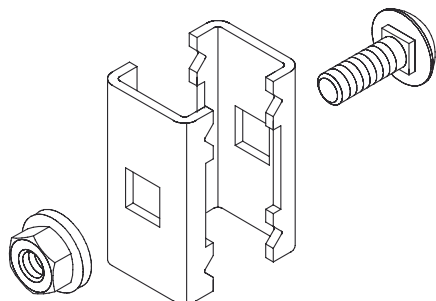


## GVD 30

Wire-mesh cable tray connector

This article is available made in material No. 1.4571/1.4404 (V4A) stainless steel finish.



### Continuously hot galvanized (Sendzimir process) (DIN EN 10346)

Product	G
GVD 30S	0,05 kg
-----	
Incl.:	
1x SEMS 8	Hexagon-nut with flange, DIN EN 6923
1x FRS 8X25	Round-head screw with short square, DIN 603
2x GV-L 30F	Wire-mesh cable tray connector

### Hot-dip galvanized, according to BS 729 (DIN EN ISO 1461)

Product	G
GVD 30F	0,06 kg
-----	
Incl.:	
1x FRS 8X25E	Round-head screw with short square, DIN 603
1x SEMS 8E	Hexagon-nut with flange, DIN EN 6923
2x GV-L 30F	Wire-mesh cable tray connector

### Stainless steel, according to ASTM 304 / BS 304 S 3

Product	G
GVD 30E	0,05 kg
-----	
Incl.:	
1x FRS 8X25E	Round-head screw with short square, DIN 603
1x SEMS 8E	Hexagon-nut with flange, DIN EN 6923
2x GV-L 30E	Wire-mesh cable tray connector

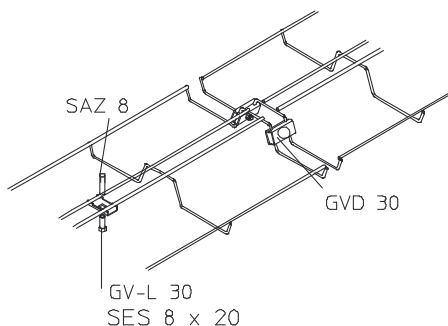
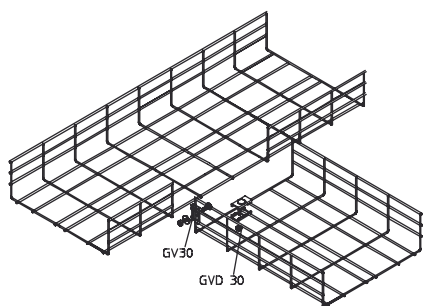


Stainless steel, according to ASTM 31 Ti / AISI 316 L, BS 320S17 / BS 316S11

Product	G
GVD 30E4	0,05 kg
-----	
Incl.:	
1x FRS 8X25E4	Round-head screw with short square, DIN 603
1x SEM 8E4	Hexagon-nut, DIN 934
2x GV-L 30E4	Wire-mesh cable tray connector

G : Weight

## DETAILS / APPLICATIONS



System E30 - E90. CNBOP-PIB-KOT-2017/0013-3703

