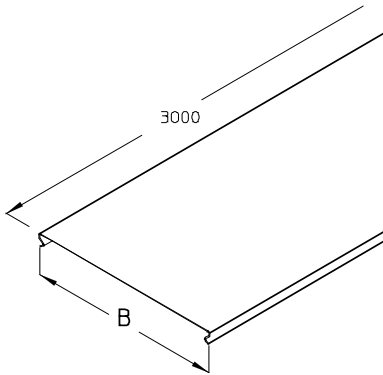


GD

Wire mesh cable tray cover

Wire mesh cable tray cover, positive locking.

This article is available made in stainless steel finish, material No. 1.4571/1.4404 (V4A).



Continuously hot galvanized (Sendzimir process) (DIN EN 10346)

Product	B	L	t	G
GD 06S	76 mm	3000 mm	1,00 mm	2,65 kg
GD 10S	116 mm	3000 mm	1,00 mm	3,60 kg
GD 20S	216 mm	3000 mm	1,00 mm	6,00 kg
GD 30S	316 mm	3000 mm	1,00 mm	8,40 kg
GD 40S	416 mm	3000 mm	1,00 mm	10,80 kg
GD 50S	516 mm	3000 mm	1,00 mm	12,30 kg
GD 60S	616 mm	3000 mm	1,00 mm	15,60 kg

Hot-dip galvanized, according to BS 729 (DIN EN ISO 1461)

Product	B	L	t	G
GD 06F	76 mm	3000 mm	1,00 mm	2,80 kg
GD 10F	116 mm	3000 mm	1,00 mm	3,80 kg
GD 20F	216 mm	3000 mm	1,00 mm	6,30 kg
GD 30F	316 mm	3000 mm	1,00 mm	9,10 kg
GD 40F	416 mm	3000 mm	1,00 mm	11,80 kg
GD 50F	516 mm	3000 mm	1,00 mm	13,90 kg
GD 60F	616 mm	3000 mm	1,00 mm	17,80 kg



Stainless steel, according to ASTM 304 / BS 304 S 3

Product	B	L	t	G
GD 06E	76 mm	3000 mm	1,00 mm	2,65 kg
GD 10E	116 mm	3000 mm	1,00 mm	3,60 kg
GD 20E	216 mm	3000 mm	1,00 mm	6,00 kg
GD 30E	316 mm	3000 mm	1,00 mm	8,40 kg
GD 40E	416 mm	3000 mm	1,00 mm	10,80 kg
GD 50E	516 mm	3000 mm	1,00 mm	12,30 kg
GD 60E	616 mm	3000 mm	1,00 mm	15,60 kg

Stainless steel, according to ASTM 316 Ti / AISI 316 L, BS 320S17 / BS 316S11

Product	B	L	t	G
GD 06E4	76 mm	3000 mm	1,00 mm	2,65 kg
GD 10E4	116 mm	3000 mm	1,00 mm	3,60 kg
GD 20E4	216 mm	3000 mm	1,00 mm	6,00 kg
GD 30E4	316 mm	3000 mm	1,00 mm	8,40 kg
GD 40E4	416 mm	3000 mm	1,00 mm	10,80 kg
GD 50E4	516 mm	3000 mm	1,00 mm	12,30 kg
GD 60E4	616 mm	3000 mm	1,00 mm	15,60 kg

B : Width

L : Length

t : Material thickness

G : Weight

DETAILS / APPLICATIONS