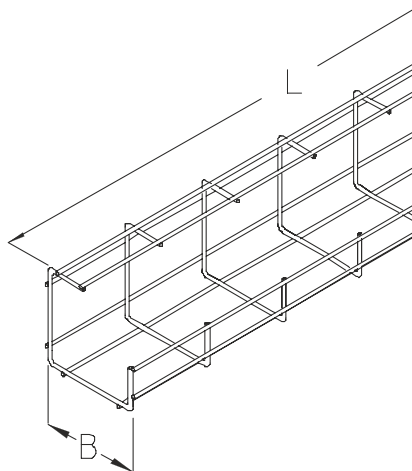


GTDW

Wire-mesh cable support G-shape

Wire-mesh cable support G-shape for mounting to ceiling or wall.

This article is available made in material No. 1.4571/1.4404 (V4A) stainless steel finish.



Pre-galvanised (DIN EN 10244-2)

Product	H	B	L	a	t	A	Q _{SK}	G
GTDW 6S	44 mm	75 mm	3000 mm	100 mm	4,00 mm	17 cm ²	0,02 kN/m	2,26 kg
GTDW 8S	64 mm	95 mm	3000 mm	100 mm	4,00 mm	38 cm ²	0,06 kN/m	2,38 kg
GTDW 10S	115 mm	115 mm	3000 mm	100 mm	4,00 mm	98 cm ²	0,15 kN/m	3,28 kg
GTDW 13S	54 mm	149 mm	3000 mm	200 mm	4,50 mm	54 cm ²	0,08 kN/m	1,28 kg

Hot-dip galvanized, according to BS 729 (DIN EN ISO 1461)

Product	H	B	L	a	t	A	Q _{SK}	G
GTDW 6F	44 mm	75 mm	3000 mm	100 mm	4,00 mm	17 cm ²	0,02 kN/m	2,41 kg
GTDW 8F	64 mm	95 mm	3000 mm	100 mm	4,00 mm	38 cm ²	0,06 kN/m	2,55 kg
GTDW 10F	115 mm	115 mm	3000 mm	100 mm	4,00 mm	98 cm ²	0,15 kN/m	3,51 kg
GTDW 13F	54 mm	149 mm	3000 mm	200 mm	4,50 mm	54 cm ²	0,08 kN/m	1,37 kg

Stainless steel, according to ASTM 304 / BS 304 S 3

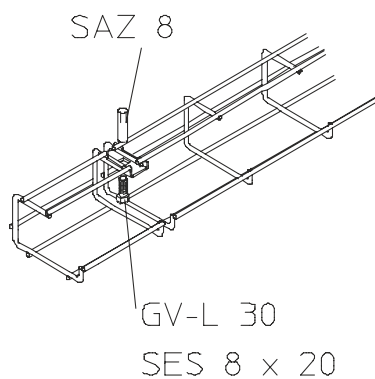
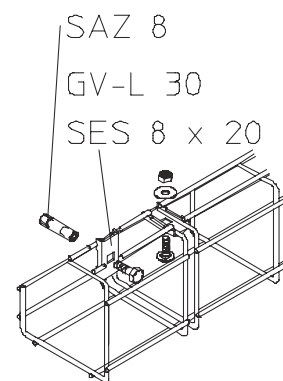
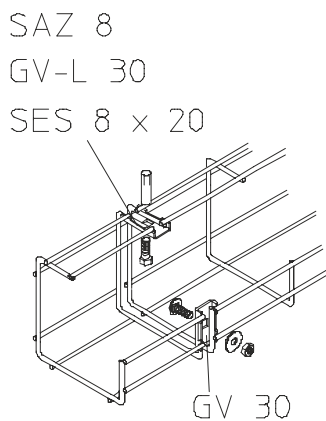
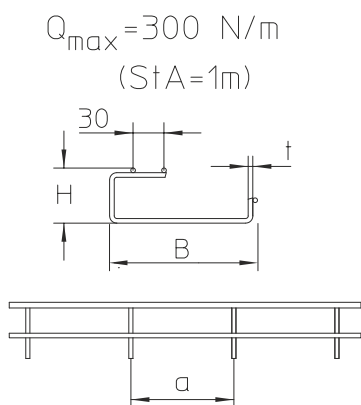
Product	H	B	L	a	t	A	Q _{SK}	G
GTDW 6E	44 mm	75 mm	3000 mm	100 mm	4,00 mm	17 cm ²	0,02 kN/m	2,26 kg
GTDW 8E	64 mm	95 mm	3000 mm	100 mm	4,00 mm	38 cm ²	0,06 kN/m	2,38 kg
GTDW 10E	115 mm	115 mm	3000 mm	100 mm	4,00 mm	98 cm ²	0,15 kN/m	3,28 kg
GTDW 13E	54 mm	149 mm	3000 mm	200 mm	4,50 mm	54 cm ²	0,08 kN/m	1,28 kg

Page 1



H : Height
B : Width
L : Length
a : Wire distance
t : Material thickness
A : Cross section area
Q_{sk} : Distributed load control cable
G : Weight

DETAILS / APPLICATIONS



OPTIONAL ACCESSORIES

GV 30, GVD 30, GV-L 30, GVU, GVK, MP-G, KLU

