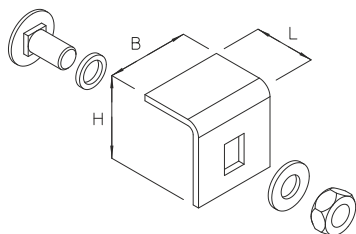


## WLD-SW

Storm protection angle - wide-span cable tray



Protection angle for additional securing of cable tray covers especially in outdoor use.

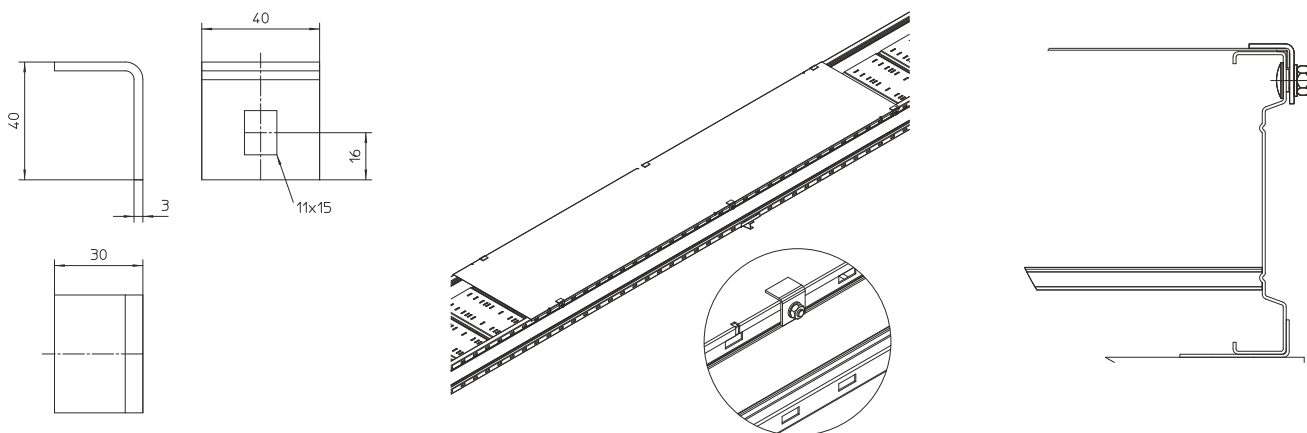
Storm protection angles, suitable for outdoor use. According to assembly instructions you should use at least 6 safety elements for each 3 meters cable path cover.

Hot-dip galvanized, according to BS 729 (DIN EN ISO 1461)

Product	H	B	L	t	G
WLD-SW F	40 mm	30 mm	40 mm	3,00 mm	0,06 kg
Incl.:					
1x SEM 10F		Hexagon-nut, DIN 934			
1x US 10X21F		Washer, DIN 125			
1x UVS M10		Captive washer			
1x FRSV 10X20F		Round-head screw with short square, DIN 603			

- H** : Height
- B** : Width
- L** : Length
- t** : Material thickness
- G** : Weight

## DETAILS / APPLICATIONS





UL classified



System E30 - E90. KOT CNBOP-PIB

