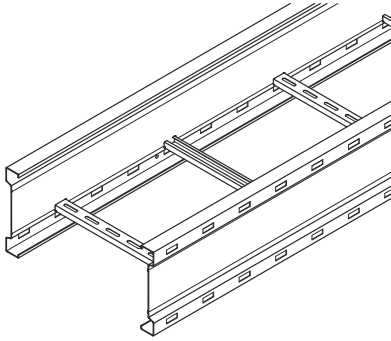


## WL 200

Wide-span cable ladder, height=200 mm



Wide-span cable ladder, additional transverse rigidity due to welded rungs made of profile rungs. Electrical conductivity tested according to DIN EN 61537.



• BIAART  
• GEPRÜFT  
• TYPE  
• APPROVED

### Continuously hot galvanized (Senzimir process) (DIN EN 10346)

Product	H	B	L	t	A	Q <sub>SK</sub>	Q <sub>LK</sub>	G
WL 200-20S	202 mm	200 mm	6000 mm	2,00 mm	281 cm <sup>2</sup>	0,42 kN/m	0,79 kN/m	56,22 kg
WL 200-30S	202mm	300 mm	6000 mm	2,00 mm	422 cm <sup>2</sup>	0,63 kN/m	1,18 kN/m	57,98 kg
WL 200-40S	202 mm	400 mm	6000 mm	2,00 mm	565 cm <sup>2</sup>	0,85 kN/m	1,58 kN/m	59,76 kg
WL 200-50S	202 mm	500 mm	6000 mm	2,00 mm	707 cm <sup>2</sup>	1,06 kN/m	1,98 kN/m	61,52 kg
WL 200-60S	202 mm	600 mm	6000 mm	2,00 mm	849 cm <sup>2</sup>	1,27 kN/m	2,38 kN/m	63,23 kg

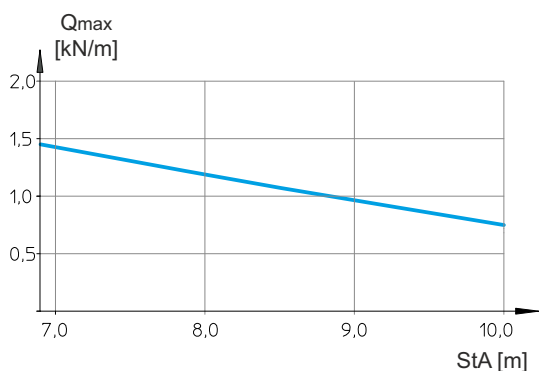
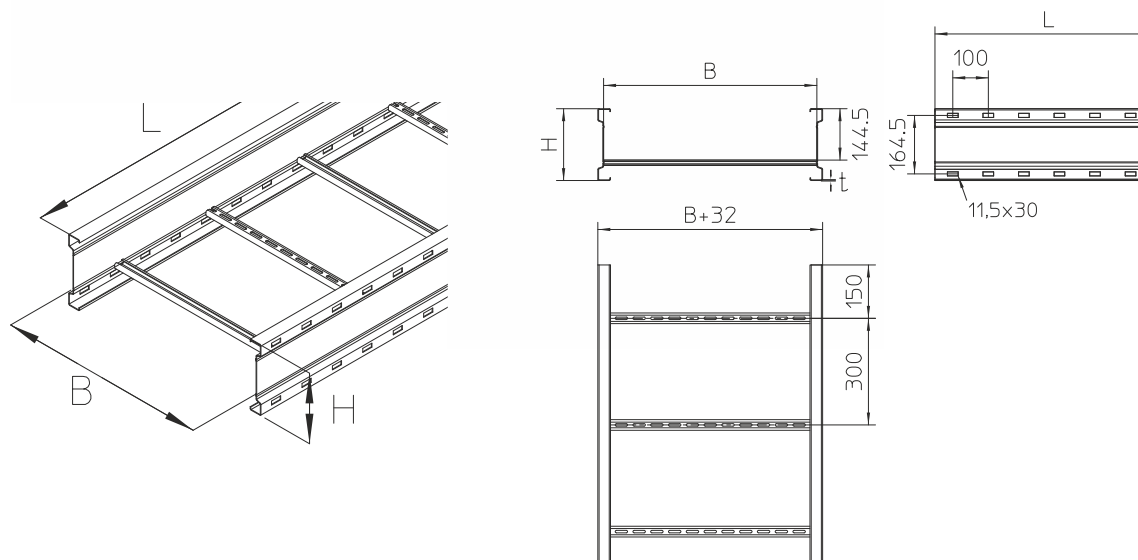
### Hot-dip galvanized, according to BS 729 (DIN EN ISO 1461)

Product	H	B	L	t	A	Q <sub>SK</sub>	Q <sub>LK</sub>	G
WL 200-20F	202 mm	200 mm	6000 mm	2,00 mm	281 cm <sup>2</sup>	0,42 kN/m	0,79 kN/m	60,15 kg
WL 200-30F	202 mm	300 mm	6000 mm	2,00 mm	422 cm <sup>2</sup>	0,63 kN/m	1,18 kN/m	62,03 kg
WL 200-40F	202 mm	400 mm	6000 mm	2,00 mm	565 cm <sup>2</sup>	0,85 kN/m	1,58 kN/m	63,94 kg
WL 200-50F	202 mm	500 mm	6000 mm	2,00 mm	707 cm <sup>2</sup>	1,06 kN/m	1,98 kN/m	65,82 kg
WL 200-60F	202 mm	600 mm	6000 mm	2,00 mm	849 cm <sup>2</sup>	1,27 kN/m	2,38 kN/m	67,70 kg

- H** : Height
- B** : Width
- L** : Length
- t** : Material thickness
- A** : Cross section area
- Q<sub>SK</sub>** : Distributed load control cable
- Q<sub>LK</sub>** : Distributed load power cable
- G** : Weight



## DETAILS / APPLICATIONS



## OPTIONAL ACCESSORIES

WLB 200, WLA 200, WLK 200, WLD, WLDR, WLHS, WLKL, WLKLA, WLKLT, WLVL 200, WLVLH 200, WLVLV 200, WTR 200, ucable clamp K H.



Do not walk upon!

