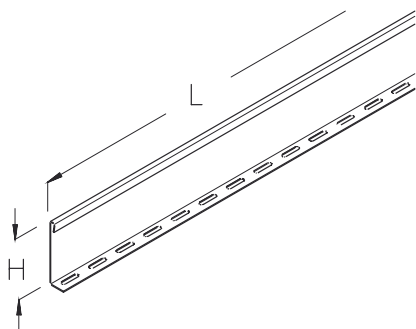


WPTR 120

Wide-span barrier strip, height=80 mm



Wide-span separating strip, fastening elements included.

This article is available made in material No. 1.4571/1.4404 (V4A) stainless steel finish.

Continuously hot galvanized (Sendzimir process) (DIN EN 10346)

Product	H	L	G
WPTR 120S	80 mm	3000 mm	2,63 kg
Incl.:			
3x FRSV 6X12 3x SEMS 6		Round-head screw with short square, DIN 603 Hexagon nut, self-locking, DIN 6923	

Hot-dip galvanized, according to BS 729 (DIN EN ISO 1461)

Product	H	L	G
WPTR 120F	80 mm	3000 mm	2,82 kg
Incl.:			
3x FRSV 6X12E 3x SEMS 6E		Round-head screw with short square, DIN 603 Hexagon nut, self-locking, DIN 6923	

H : Height
L : Length
G : Weight

