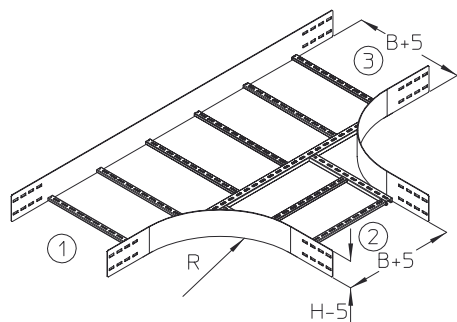


WPLA 120

Wide-span branch-piece, height=120 mm



Wide-span branch, formed component, integrated connectors included. Formed components must be supported at all sides.

This article is only available in stainless steel finish with a side rail height of 100 mm, material No. 1.4301 (V2A), as well as 1.4571 / 1.4404 (V4A).



Hot-dip galvanized, according to BS 729 (DIN EN ISO 1461)

Product	H	B	R	G
WPLA 120-20F	120 mm	200 mm	450 mm	15,91 kg
Incl.: 12x KLS 10X20F			Fixing set	
WPLA 120-30F	120 mm	300 mm	450 mm	16,99 kg
Incl.: 12x KLS 10X20F			Fixing set	
WPLA 120-40F	120 mm	400 mm	450 mm	17,95 kg
inclIncl.: 12x KLS 10X20F			Fixing set	
WPLA 120-50F	120 mm	500 mm	450 mm	18,91 kg
Incl.: 12x KLS 10X20F			Fixing set	
WPLA 120-60F	120 mm	600 mm	450 mm	20,29 kg
Incl.: 12x KLS 10X20F			Fixing set	

H : Height

B : Width

R : Radius

G : Weight

OPTIONAL ACCESSORIES

WPAD



UL classified

