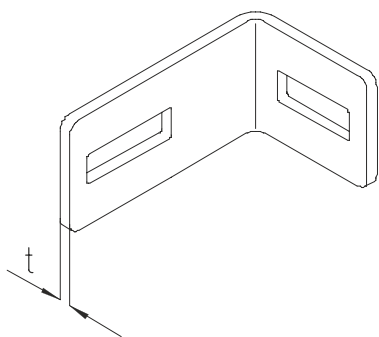


BL 4

Corner angle, profil U50/ U60/ U100

Wall angle for fastening bracket supports KHU 40/57/60 to walls.

This article is available made in material No. 1.4571/1.4404 (V4A) stainless steel finish.



Hot-dip galvanized, according to BS 729 (DIN EN ISO 1461)

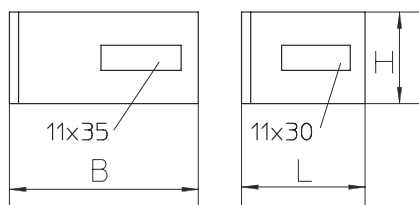
Product	H	B	L	t	G
BL 4F	40 mm	82,50 mm	54 mm	4,00 mm	0,15 kg

Stainless steel, according to ASTM 304 / BS 304 S 3

Product	H	B	L	t	G
BL 4E	40 mm	82,50 mm	54 mm	4,00 mm	0,15 kg

H : Height
B : Width
L : Length
t : Material thickness
G : Weight

DETAILS / APPLICATIONS



OPTIONAL ACCESSORIES

SD, KLS





System E30 - E90. CNBOP-PIB nr CNBOP-PIB-KOT-2017/0013-3703

