

BGIQ

Head plate, profile I80

Head plate for ceiling mounting of bracket support I80.

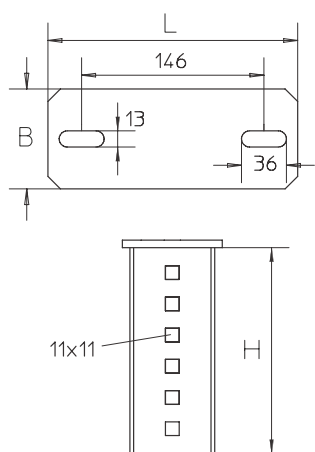


Hot-dip galvanized, according to BS 729 (DIN EN ISO 1461)

Product	H	B	L	G
BGIQ F	165 mm	80 mm	200 mm	1,40 kg
Incl.:				
2x FRS 10X30F		Round-head screw with short square, DIN 603		
2x SEM 10F		Hexagon-nut, DIN 934		

H : Height
B : Width
L : Length
G : Weight

DETAILS / APPLICATIONS





OPTIONAL ACCESSORIES

SD



Certified according to Det Norske Veritas (DNV) and Germanischer Lloyd (GL)



System E30 - E90. CNBOP-PIB nr CNBOP-PIB-KOT-2017/0013-3703

