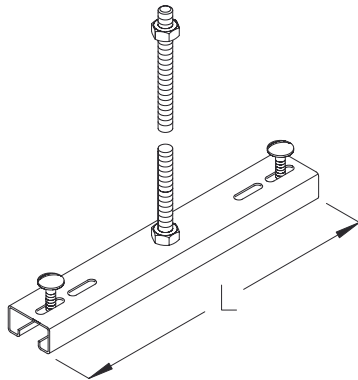


# GBAR

Central hanger



External centre suspension with threaded rod for cable trays. For tray widths of up to 300 mm. A threaded rod (L = 1000 mm) is included in the set.

$F_D/P$ : Coefficient for calculation of the dowel load  $F_D$  with effective bracket load  $P$  respectively the sum of effective bracket loads.



**Continuously hot galvanized (Sendzimir process) (DIN EN 10346)**

| Product                                                                                                                                                                     | B      | L      | $P_{max}$ | $F_D/P$ | G       |
|-----------------------------------------------------------------------------------------------------------------------------------------------------------------------------|--------|--------|-----------|---------|---------|
| GBAR 10S                                                                                                                                                                    | 100 mm | 60 mm  | 0,7 kN    | 1       | 0,62 kg |
| Incl.:<br>1x GB M10-10<br>3x SEM 10<br>1x US 10x30<br>1x KLR<br>Round-head screw with short square, DIN 603<br>Square washer, DIN 125<br>Hexagon-nut, DIN 934<br>Fixing set |        |        |           |         |         |
| GBAR 20S                                                                                                                                                                    | 200 mm | 160 mm | 0,7 kN    | 1       | 0,75 kg |
| Incl.:<br>1x GB M10-10<br>3x SEM 10<br>1x US 10x30<br>1x KLR<br>Round-head screw with short square, DIN 603<br>Square washer, DIN 125<br>Hexagon-nut, DIN 934<br>Fixing set |        |        |           |         |         |
| GBAR 30S                                                                                                                                                                    | 300 mm | 260 mm | 0,7 kN    | 1       | 0,88 kg |
| Incl.:<br>1x GB M10-10<br>3x SEM 10<br>1x US 10x30<br>1x KLR<br>Round-head screw with short square, DIN 603<br>Square washer, DIN 125<br>Hexagon-nut, DIN 934<br>Fixing set |        |        |           |         |         |

**Stainless steel, according to ASTM 304 / BS 304 S 3**

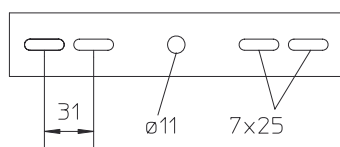
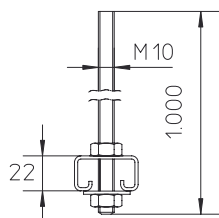
| Product                                                                                                                                                                          | B      | L     | $P_{max}$ | $F_D/P$ | G       |
|----------------------------------------------------------------------------------------------------------------------------------------------------------------------------------|--------|-------|-----------|---------|---------|
| GBAR 10E                                                                                                                                                                         | 100 mm | 60 mm | 0,7 kN    | 1       | 0,62 kg |
| Incl.:<br>1x GB M10-10E<br>3x SEM 10E<br>1x US 10x30E<br>1x KLR E<br>Round-head screw with short square, DIN 603<br>Square washer, DIN 125<br>Hexagon-nut, DIN 934<br>Fixing set |        |       |           |         |         |



| Product                                                                                                     | B      | L      | $P_{max}$ | $F_d/P$ | G       |
|-------------------------------------------------------------------------------------------------------------|--------|--------|-----------|---------|---------|
| GBAR 20E                                                                                                    | 200 mm | 160 mm | 0,7 kN    | 1       | 0,75 kg |
| Incl.:<br>1x GB M10-10E<br>3x SEM 10E<br>1x US 10x30E<br>1x KLR E                                           |        |        |           |         |         |
| Round-head screw with short square, DIN 603<br>Square washer, DIN 125<br>Hexagon-nut, DIN 934<br>Fixing set |        |        |           |         |         |
| GBAR 30E                                                                                                    | 300 mm | 260 mm | 0,7 kN    | 1       | 0,88 kg |
| Incl.:<br>1x GB M10-10E<br>3x SEM 10E<br>1x US 10x30E<br>1x KLR E                                           |        |        |           |         |         |
| Round-head screw with short square, DIN 603<br>Square washer, DIN 125<br>Hexagon-nut, DIN 934<br>Fixing set |        |        |           |         |         |

- B:** Width  
**L:** Length  
 **$P_{max}$ :** Maximum permissible load  
 **$F_d/P$ :** Dowel-to-anchor load  
**G:** Weight

## DETAILS / APPLICATIONS



## OPTIONAL ACCESSORIES

SAZ



Certified according to Det Norske Veritas (DNV) and Germanischer Lloyd (GL)

