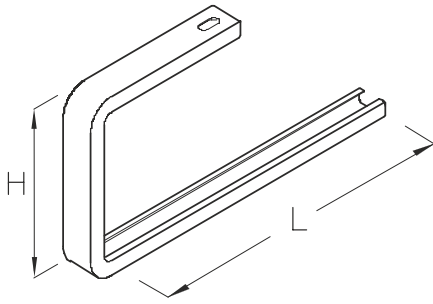


DB

Ceiling fixed bracket

Ceiling fixed bracket, profile rail 30x15 mm.

This article is available made in material No. 1.4571/1.4404 (V4A) stainless steel finish.



Continuously hot galvanized (Senzimir process) (DIN EN 10346)

Product	H	B	L	P _{max}	F _d /P	G
DB 10S	170 mm	100 mm	110 mm	0,60 kN	1,20	0,25 kg
DB 20S	170 mm	200 mm	210 mm	0,40 kN	1,10	0,36 kg
DB 30S	170 mm	300 mm	310 mm	0,28 kN	1,10	0,47 kg

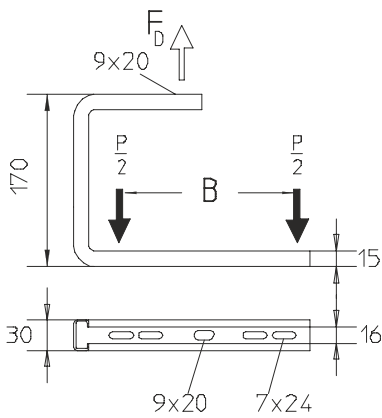
Stainless steel, according to ASTM 304 / BS 304 S 3

Product	H	B	L	P _{max}	F _d /P	G
DB 10E	170 mm	100 mm	110 mm	0,50 kN	1,20	0,30 kg
DB 20E	170 mm	200 mm	210 mm	0,35 kN	1,10	0,44 kg
DB 30E	170 mm	300 mm	310 mm	0,25 kN	1,10	0,58 kg

H : Height
B : Width
L : Length
P_{max} : Maximum permissible load
F_d/P : Dowel-to-anchor load
G : Weight

DETAILS / APPLICATIONS





OPTIONAL ACCESSORIES

KLR, SAZ



Certified according to Det Norske Veritas (DNV) and Germanischer Lloyd (GL)

