

KIS

Bracket, heavy

Wall bracket, heavy-duty version. For stepless clamping to steel structures such as T-beams and double-T-beams. Especially suitable for wide-span cable trays.

F_D/P : Coefficient for calculation of the dowel load F_D with effective bracket load P respectively the sum of effective bracket loads.



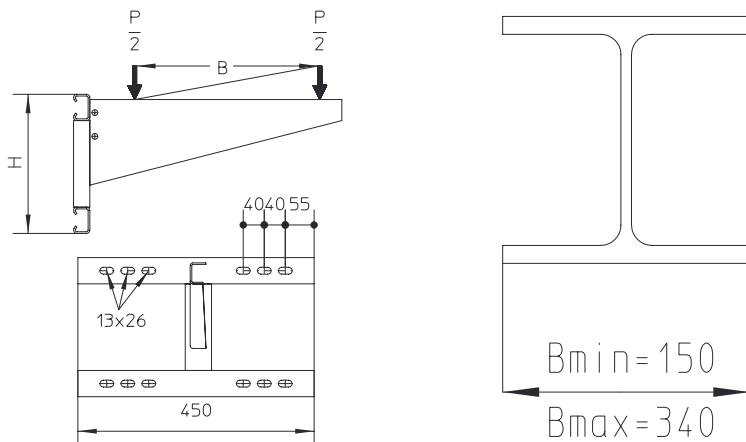
Hot-dip galvanized, according to BS 729 (DIN EN ISO 1461)

Product	B	L	P_{max}	F_D/P	G
KIS 020F	200 mm	280 mm	7,00 kN	0,66	4,32 kg
KIS 030F	300 mm	380 mm	6,70 kN	0,76	4,65 kg
KIS 040F	400 mm	480 mm	6,50 kN	0,86	5,00 kg
KIS 050F	500 mm	580 mm	6,30 kN	0,97	5,34 kg
KIS 060F	600 mm	680 mm	6,10 kN	1,09	5,68 kg
KIS 070F	700 mm	780 mm	5,20 kN	1,33	6,02 kg
KIS 080F	800 mm	880 mm	4,40 kN	1,57	6,36 kg
KIS 090F	900 mm	980 mm	3,60 kN	1,83	6,70 kg
KIS 100F	1000 mm	1080 mm	2,80 kN	2,08	7,04 kg

- B** : Width
- L** : Length
- P_{max}** : Maximum permissible load
- F_D/P** : Dowel-to-anchor load
- G** : Weight

DETAILS / APPLICATIONS





OPTIONAL ACCESSORIES

SKS H



Certified according to Det Norske Veritas (DNV) and Germanischer Lloyd (GL)

