

KTSS

Bracket, very heavy, profile I80

Bracket, very heavy building class, for ceiling bracket support profile I 80, certified according to DIN EN 61357/VDE 0639.



BAWA
GEPRO
TYPE
APPRO



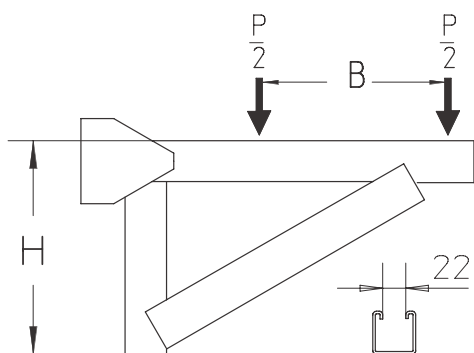
Hot-dip galvanized, according to BS 729 (DIN EN ISO 1461)

Product	H	B	L	P _{max}	G
KTSS 020F	100 mm	200 mm	280 mm	12,00 kN	2,94 kg
KTSS 030F	135 mm	300 mm	380 mm	12,00 kN	3,53 kg
KTSS 040F	165 mm	400 mm	480 mm	12,00 kN	4,12 kg
KTSS 050F	200 mm	500 mm	580 mm	12,00 kN	4,71 kg
KTSS 060F	230 mm	600 mm	680 mm	12,00 kN	6,34 kg

- H** : Height
- B** : Width
- L** : Length
- P_{max}** : Maximum load
- G** : Weight

DETAILS / APPLICATIONS





OPTIONAL ACCESSORIES

WPHS-A, WPHS-K



• SALVART
• GEPRÜFT
• TYPE
• APPROVED

TÜV certified



Certified according to Det Norske Veritas (DNV) and Germanischer Lloyd (GL)

