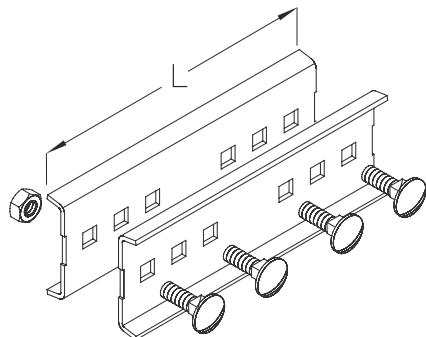


HKI

Support connector

The products can be used for fire protection. For technical parameters, see National Technical Test Certificates (abPs).



Hot-dip galvanized, according to BS 729 (DIN EN ISO 1461)

Product	L	G
HKI F	200 mm	1,00 kg

incl.:		
4x FRS 10X30F	Round-head screw with square, DIN 603	
4x SEM 10F	Hexagon-nut, DIN 934	

Hot-dip galvanized - min. 70 um (double), according to BS 729 (DIN EN ISO 1461)

Product	L	G
HKI DF	200 mm	1,00 kg

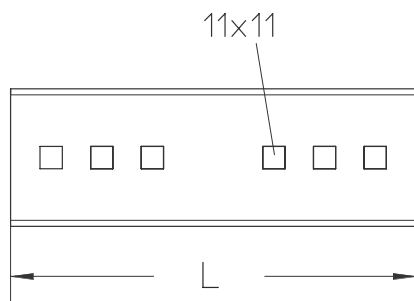
incl.:		
4x FRS 10X30F	Round-head screw with square, DIN 603	
4x SEM 10F	Hexagon-nut, DIN 934	

L : Length

G : Weight



DETAILS / APPLICATIONS



OPTIONAL ACCESSORIES

SD

