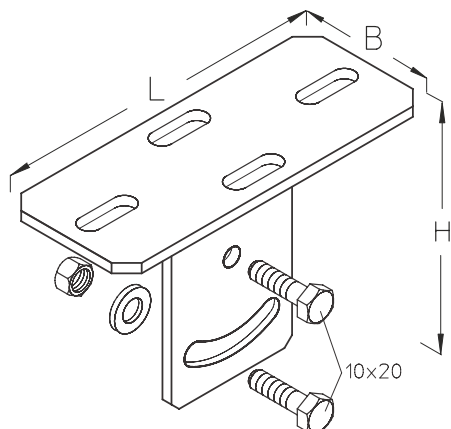


## BGUD

Head plate, profile U40/ U57/ U 60



Head plate for ceiling mounting of bracket support U40/ U 57/ U 60.  
For angled connection +/- 30°.

This article is available made in material No. 1.4571/1.4404 (V4A) stainless steel finish.



Hot-dip galvanized, according to BS 729 (DIN EN ISO 1461)

Product	H	B	L	G
BGUD F	125 mm	80 mm	200 mm	1,30 kg
Incl.:				
2x SES 10X25F 2x SEM 10F 2x US 10X30F	Hexagon head bolt, DIN 933 Hexagon-nut, DIN 934 Square washer, DIN 9021			

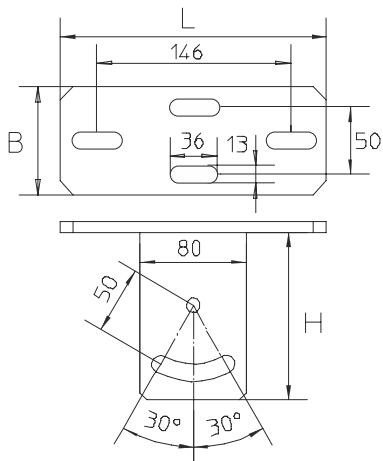
Stainless steel, according to ASTM 304 / BS 304 S 3

Product	H	B	L	G
BGUD E	125 mm	80 mm	200 mm	1,40 kg
Incl.:				
2x SES 10X25E 2x SEM 10E 2x US 10X30E	Hexagon head bolt, DIN 933 Hexagon-nut, DIN 934 Square washer, DIN 9021			

**H** : Height  
**B** : Width  
**L** : Length  
**G** : Weight

## DETAILS / APPLICATIONS





## OPTIONAL ACCESSORIES

SD



Certified according to Det Norske Veritas (DNV) and Germanischer Lloyd (GL)



System E30 - E90. CNBOP-PIB nr CNBOP-PIB-KOT-2017/0013-3703

