

BGU 80

Head plate, profile KHU 80

Head plate for ceiling mounting of bracket support KHU 80.

This article is available made in material No. 1.4571/1.4404 (V4A) stainless steel finish.

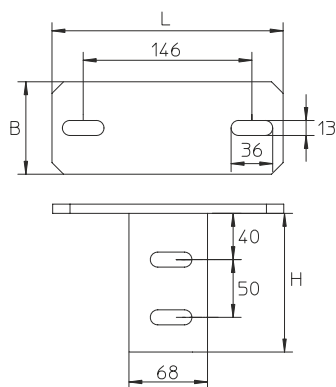


Hot-dip galvanized, according to BS 729 (DIN EN ISO 1461)

Product	H	B	L	G
BGU 80F	120 mm	80 mm	200 mm	1,84 kg
Incl.:				
4x SES 12X25F		Hexagon head bolt, DIN 933		
4x SEM 12F		Hexagon-nut, DIN 934		
4x US 13X24F		Square washer, DIN 125		

H : Height
B : Width
L : Length
G : Weight

DETAILS / APPLICATIONS





Certified according to Det Norske Veritas (DNV) and Germanischer Lloyd (GL)

