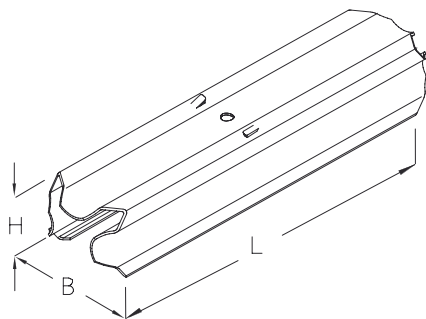


## KPV

KPR-coupler

Coupler KPR 40.



Continuously hot galvanized (Sendzimir process) (DIN EN 10346)

Product	H	B	L	t	G
KPV	37 mm	37 mm	300 mm	1,00 mm	0,31 kg

**H** : Height  
**B** : Width  
**L** : Length  
**t** : Material thickness  
**G** : Weight

## DETAILS / APPLICATIONS

