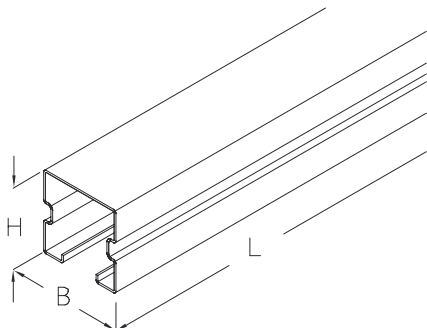


KPR 40

Support rail for light fittings



Continuously hot galvanized (Sendzimir process) (DIN EN 10346)

Product	H	B	L	t	G
KPR 40-3	40 mm	40 mm	3000 mm	1,50 mm	5,40 kg
KPR 40	40 mm	40 mm	6000 mm	1,50 mm	10,80 kg

- H** : Height
- B** : Width
- L** : Length
- t** : Material thickness
- G** : Weight

DETAILS / APPLICATIONS

