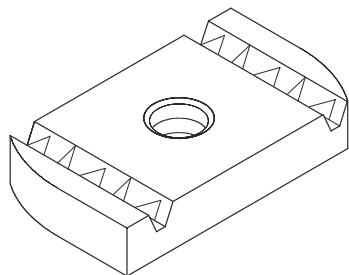


AM22

Channel nut, A 41/ KHA 41/ KHAL 41



Galvanized, according to ISO 4042

Product	Ø	t	G
AM22 M6	6 mm	6,00 mm	2,60 kg/100
AM22 M8	8 mm	6,00 mm	2,40 kg/100
AM22 M10	10 mm	8,00 mm	3,30 kg/100
AM22 M12	12 mm	9,50 mm	3,90 kg/100

Hot-dip galvanized, according to BS 729 (DIN EN ISO 1461)

Product	Ø	t	G
AM22 M6F	6 mm	6,00 mm	2,80 kg/100
AM22 M8F	8 mm	6,00 mm	2,60 kg/100
AM22 M10F	10 mm	8,00 mm	3,50 kg/100
AM22 M12F	12 mm	9,00 mm	3,90 kg/100

Stainless steel, according to ASTM 316 Ti / AISI 316 L, BS 320S17 / BS 316S11

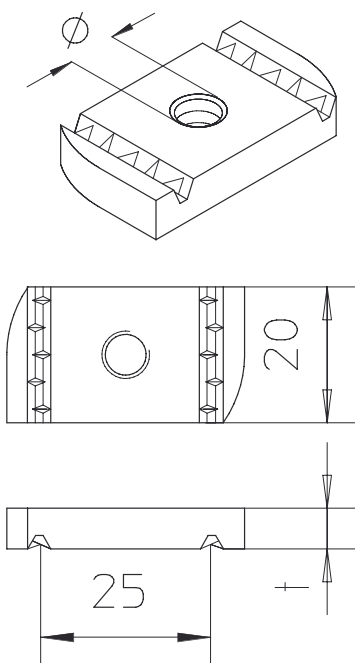
Product	Ø	t	G
AM22 M6E4	6 mm	6,00 mm	2,60 kg/100
AM22 M8E4	8 mm	6,00 mm	2,40 kg/100
AM22 M10E4	10 mm	8,00 mm	3,50 kg/100



Product	Ø	t	G
AM22 M12E4	12 mm	9,50 mm	4,00 kg/100

Ø : Diameter
t : Material thickness
G : Weight

DETAILS / APPLICATIONS



System E30 - E90. CNBOP-PIB nr CNBOP-PIB-KOT-2017/0013-3703

