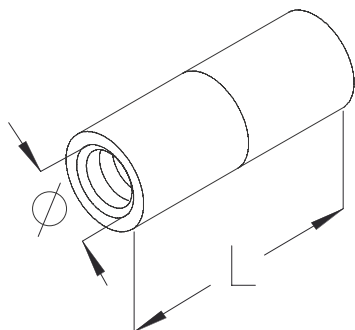


## VM

Rod coupling

Rod coupling.



### Galvanized, according to ISO 4042

Product	L	Ø	G
VM M6	30 mm	6 mm	0,01 kg
VM M8	30 mm	8 mm	0,01 kg
VM M10	30 mm	10 mm	0,03 kg
VM M12	30 mm	12 mm	0,05 kg

### Stainless steel, according to ASTM 304 / BS 304 S 3

Product	L	Ø	G
VM M6E	30 mm	6 mm	0,01 kg
VM M8E	30 mm	8 mm	0,01 kg
VM M10E	30 mm	10 mm	0,03 kg
VM M12E	30 mm	12 mm	0,05 kg

**L** : Length  
**Ø** : Diameter  
**G** : Weight



System E30 - E90. CNBOP-PIB nr CNBOP-PIB-KOT-2017/0013-3703

